



www.kf-ind.com



SERVICE COMMERCIAL-CUSTOMER SERVICE

2/F,Bldg. B,Rongtiansheng Industrial Park,No.135 Fuyuan 1st

Rd.,Fuhai Str.,Bao'an 518103 Shenzhen,China

Tel:86-755-3669 8077 Fax:86-755-3669 8177

Email:sales@kf-ind.com Website:www.kf-ind.com



KOFORD DEVELOPMENT CO.,LIMITED

深圳市科弗特实业有限公司



www.kf-ind.com



KOFORD DEVELOPMENT CO.,LIMITED  
深圳市科弗特实业有限公司



**2020-2021 Edition**

Mounts & Stands for PC & Laptop & Accessories

Some of the products shown in this catalogue may be available at the time of order,please contact us for any specific requests information on products and their characteristics may be updated to take into account ongoing production improvements.

## COMPANY PROFILE

Koford, a Chinese company & factory, has been specialized in LCD / Plasma Mount / stand & Computer accessories Supplies.

Concentrating on offering products with unique design and high quality to fulfill the most update market trend.

Koford aims at developing new products in wide range evenly each year trying to offer a complete solution to meet the needs of worldwide customers.

Besides, koford is strong in doing OEM & ODM businesses, Feel free to contact our sales team at sales@kf-ind.com to get more information about our products or any query you may have.



# CONTENTS

## Mounts & Stands for PC & Laptop & Accessories

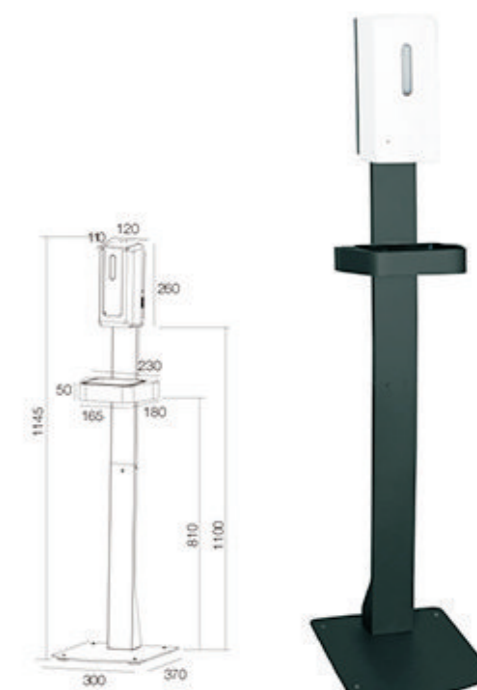
Automatic Hand Sanitizer	01-04
Electric Sit/Stand office Desk	05-07
Manual Sit/Stand office Desk	08-09
Desktop Computer Workstation	10-13
Wall Mount Computer Workstation	14-19
Gas Lift Mobile Computer Workstation	20-30
Manual Mobile Computer Workstation	31-32
Manual Mobile Computer Workstation	33-43
Manual Desktop Monitor Mount	44-51
Gas Lift Desktop Monitor Mount	52-60
iPad or Tablet Mount & Stand	61-73
Optional Part	74-76
Cable Management	77



## Automatic Hand Sanitizer Floorstand

Flexible installation  
Ideal for small spaces  
Touchless system;Minimizes cross contamination  
Dispensing aproximately 500 times per fill-up  
Compatible with most liquids or gels

Sensing method:	Infrared auto-Sensing
Sensing range:	0-12cm
Response time:	25ms
Power supply:	4 pieces of AA(1.5v) battery(Non rechargeable),or DC 6V input
installation mode:	Independent as sembly,easy to erplace and clean
Liquid capacity:	1000ml
Liquid pump:	Spray/Liquid
Spraying volume:	1.2ml (Spray)
Opening method:	Open with safety key
Liquid exchange method:	Manual open cover to replace liquid
shell material:	Environmental ABS materials
Net weight:	About 0.85KG
Mounting method:	Floor stand
Workplace:	Indoor
FS 10 product Size:	300*370*1145mm(H)



Standard installation **FS 10**

### Optional installation with display Screen 13 inch max

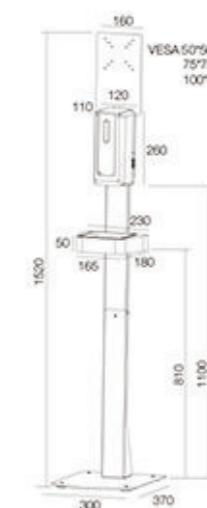


**FS 10A**

### Stand Optional Color



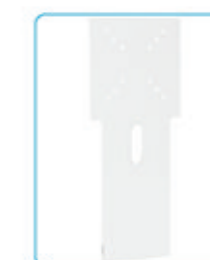
### Product Details



Adjustable Feet



Cable Management



Optional VESA Plate



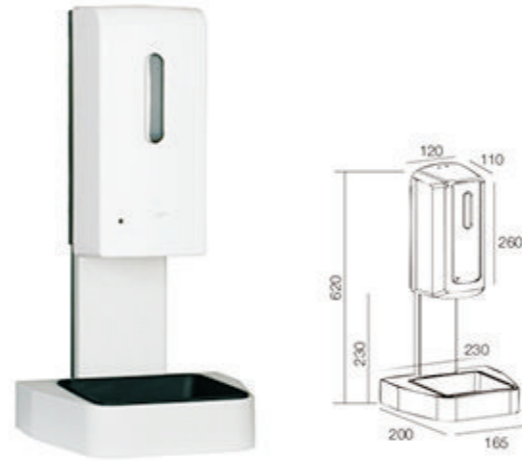
## Automatic Hand Sanitizer Floorstand

Public Healthy equipment,widely used hospitals,schools,hotels,restaurants,airports etc Small size,space-saving,flexible insallation and convenient Anti germs,avoid cross-infection

# Automatic Hand Sanitizer Deskstand

Flexible installation  
Ideal for small spaces  
Touchless system;Minimizes cross contamination  
Dispensing aproximately 500 times per fill-up  
Compatible with most liquids or gels

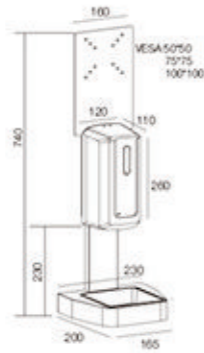
Sensing method:	Infrared auto-Sensing
Sensing range:	0-12cm
Response time:	25ms
Power supply:	4 pieces of AA(1.5v) batlery(Non rechargeable),or DC 6V input
installation mode:	Independent as sembly,easy to erplace and clean
Liquid capacity:	1000ml
Liquid pump:	Spray/Liquid
Spraying volume:	1.2ml (Spray)
Opening method:	Open with safety key
Liquid exchange method:	Manual open cover to replace liquid
shell material:	Environmental ABS materials
Net weight:	About 0.85KG
Mounting method:	Desktop stand
Workplace:	Indoor
DP 10 product Size:	230*180*620mm(H)



Standard installation DP 10



## Stand Optional Color



## Optional installation with display Screen 13 inch max



DP 10A

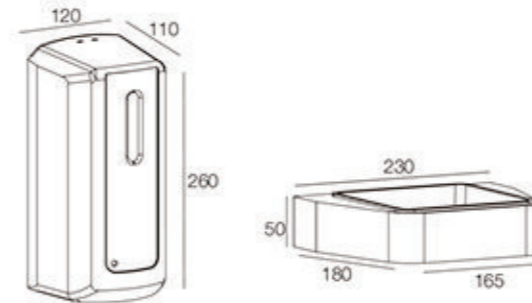
## Product Details



Cable Management Optional VESA Plate

# Automatic Hand Sanitizer Wall

Flexible installation  
Ideal for small spaces  
Touchless system;Minimizes cross contamination  
Dispensing aproximately 500 times per fill-up  
Compatible with most liquids or gels



## Holder Optional Color



WM 10

Sensing method:	Infrared auto-Sensing
Sensing range:	0-12cm
Response time:	25ms
Power supply:	4 pieces of AA(1.5v) batlery(Non rechargeable),or DC 6V input
installation mode:	Independent as sembly,easy to erplace and clean
Liquid capacity:	1000ml
Liquid pump:	Spray/Liquid
Spraying volume:	1.2ml (Spray)
Opening method:	Open with safety key
Liquid exchange method:	Manual open cover to replace liquid
shell material:	Environmental ABS materials
Net weight:	About 0.85KG
Mounting method:	wall mount
Workplace:	Indoor
WM 10 product Size:	Dispenser-110*120*250(H),230*180*50mm-tray

# Electric Sit -Stand office Desk

The lift technology system, makes it very to adjust from sitting to standing, and enjoys high-efficiency work; No noise motor design makes you more concentrate on work, and free work-choice style makes you more relaxed.



## Electric Sit -Stand office Desk

### Digital Control Panel



- LED list for position of the column
- 4 Positions memory function
- feel comfortable to press
- black and white colors are the most suitable to match

### Lifting Column



- Short installation dimension and long stroke length.
- Each tube thickness is increased to 2mm.
- Add strengthening support on the bottom of lifting column.
- Stronger to resist lateral force, and high degree of stability.

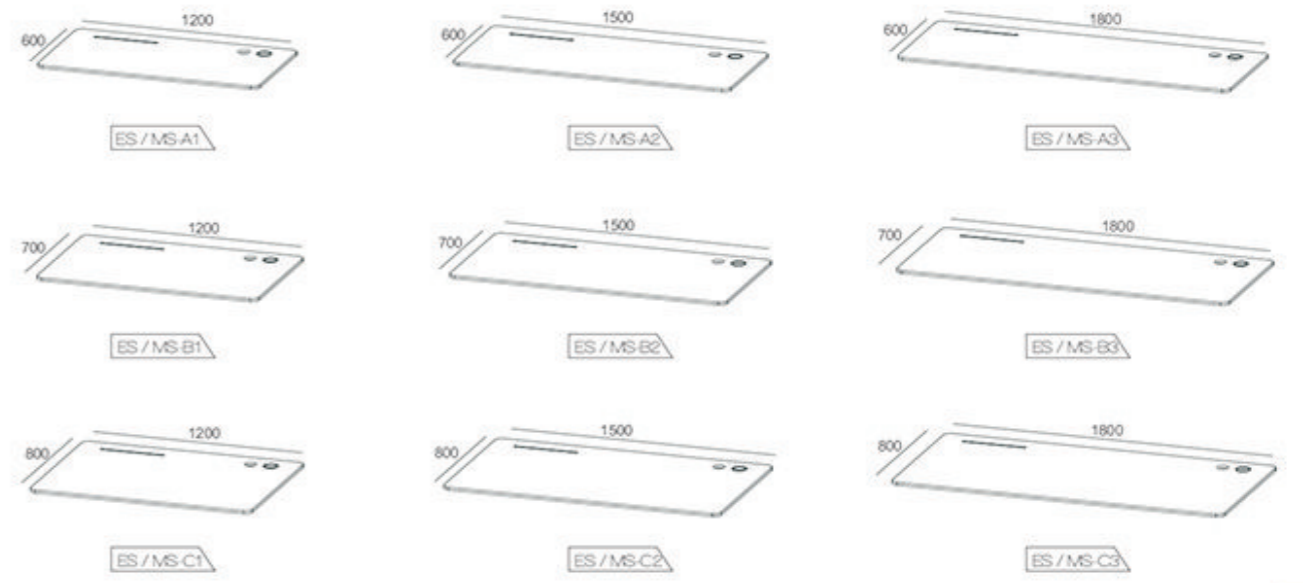
### Platform



- Wireless charging
- Storage Slot for phone, tablet and other accessories



### Optional Platform Size



Product Details



Programmable Digital Memory Controller  
4 Memory Height Settings



Wireless charging



Storage Slot  
for phone, tablet and other accessories



Height Adjustable Feet



Cable Management



- Dual Motor
- Reversed Column
- 3-Stage

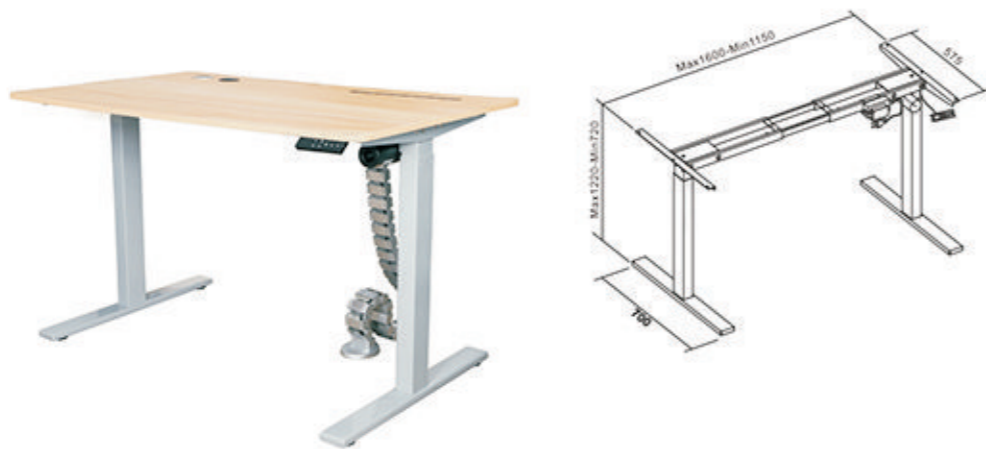


ES01

- Color Available:
- Black
  - Grey
  - White



- Single Motor
- Standard Column
- 2-Stage



ES02

- Color Available:
- Black
  - Grey
  - White

Model	ES01	ES02
Product Dimensions	(1100-1800)*700*(610-1260)MM	(1150-1600)*700*(720-1220)MM
Height Range	610-1260mm	610-1260mm
Power Input	24VDC	24VDC
Control Mode	Button	Button
Weight Capacity	100kg	100kg
Speed	35mm/s	20mm/s
Decibel	<50bd	<50bd
Color	Grey / Black / White	Grey / Black / White

# Economy Manual Sit -Stand Desk

With a Study Crank Handle, this Premium Manually-operated Height -adjustable Desk Can Suit All Your Working Positions Quietly And Easily.

- Color
- Black
  - Grey
  - White

Color Combination



Walnut / Grey



Walnut / Black



Black / Black



White / White



# Manual Sit -Stand office Desk

## Product Details



Storage Slot for phone, tablet and other accessories



Wireless charging



Reversed structure



Manual height adjustment on the front



Height Adjustable Feet



Cable Management



Manual

Reversed Column

2-Stage



Color Available: Black Grey White

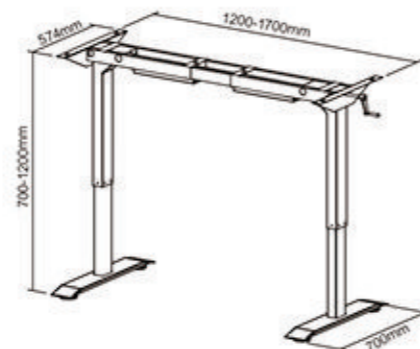
MS01



Manual

Reversed Column

2-Stage



Color Available: Black Grey White

MS02

Model	MS01	MS02
Product Dimensions	(1200-1700)*700*(700-1200)MM	(1200-1700)*700*(700-1200)MM
Height Range	700-1200mm	700-1200mm
Weight Capacity	70kg	70kg
Speed	10mm/Turn	10mm/Turn
Color	Grey / Black / White	Grey / Black / White



DW 001A

## Desktop Computer Workstation

The fashionable health, the most suitable position, let you be far away from occupational disease, easy to carry.

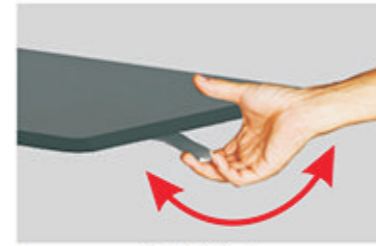
Model	Suggest Monitor Size	Worksurface Size	Material	Color	Height Range	Loading Capacity	Wireless Charge	Tablet Slot
DW 001A	10-24"	700*470mm	MDF+Steel	Black / Silver / White	70-400mm	20kgs	No	No
DW 001B	14-32"	600*950mm	MDF+Steel	Black / Silver / White	70-520mm	20kgs	Available	Available

# Desktop Computer Workstation

KOFORD DEVELOPMENT CO., LIMITED  
www.kf-ind.com



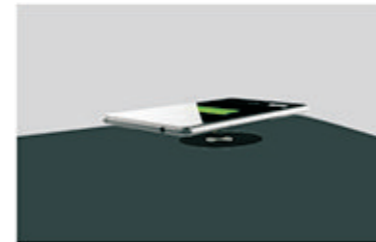
**DW 001B**



Gas Lift Knob



Plastic Pad



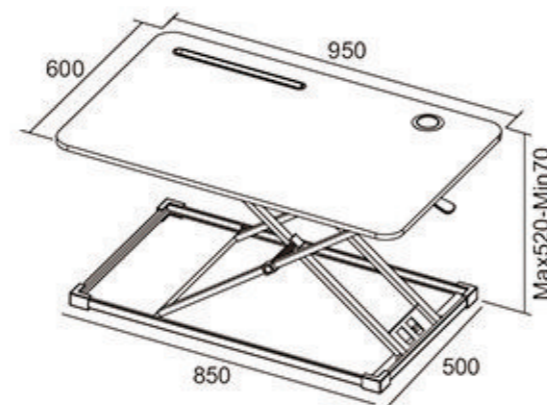
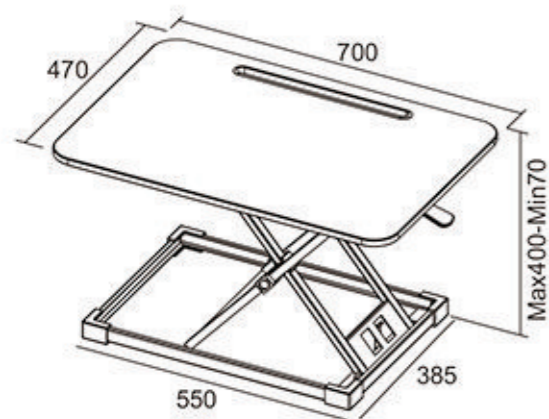
Wireless charging



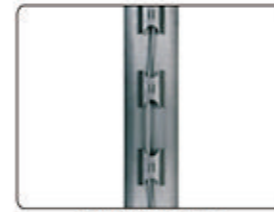
Storage Slot  
for phone, tablet and other accessories

**DW 001A** Basic size of worksurface, no wireless charging & tablet Slot

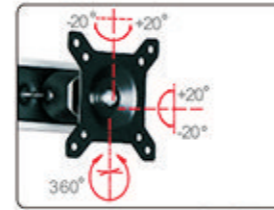
**DW 001B** larger size of worksurface with wireless charging & tablet slot



## Product Details



Cable Management



Tilt Up & Down -20° +20°  
Tilt Left & Right -20° +20°  
360°



Keyboard Tray Fold & Slide



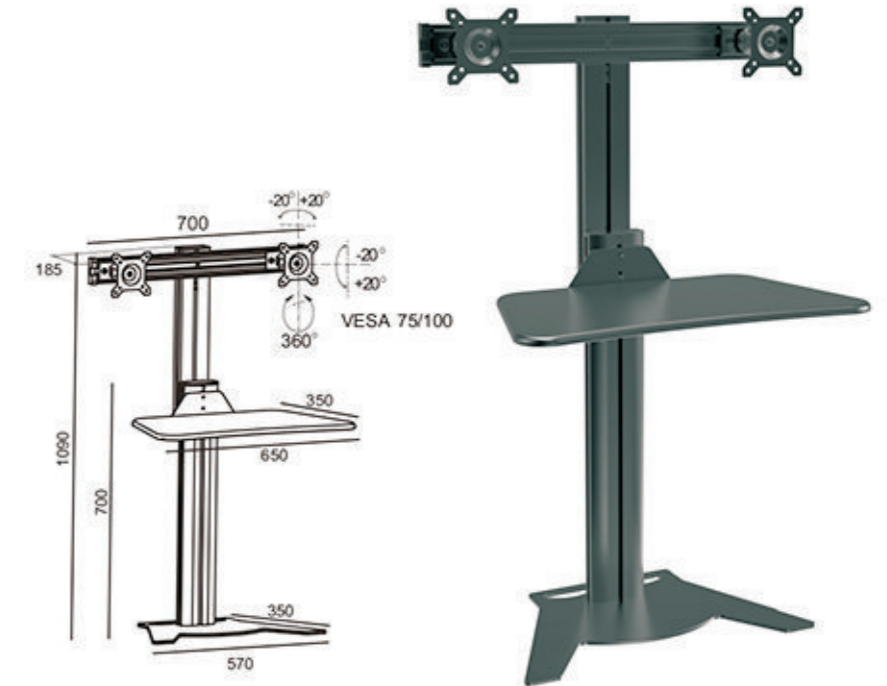
Heavy Duty Base



Height Adjustable



Handing Hole

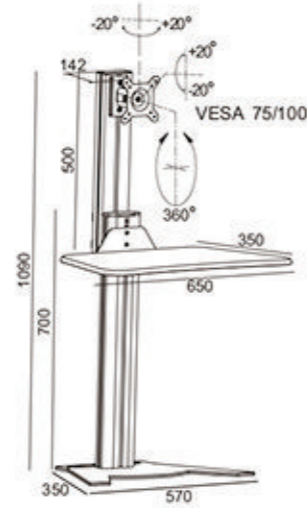


**DW 002A**



Model	Color	Material	Suggest Size	Loading Capacity on Monitor Mount	Loading Capacity on Keyboard Tray
DW 002A	Silver/White/Black	SPCC/MDF/Alu	10-24"	10kgs Per Mount	20kgs



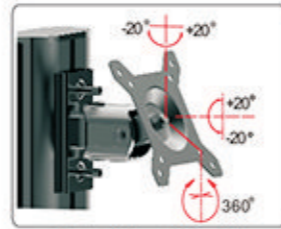


DW 002B

Product Details



Cable Management



Tilt Up & Down -20° +20°  
Tilt Left & Right -20° +20°



Keyboard Tray Fold & Slide



Heavy Duty Base



Height Adjustable



Handing Hole



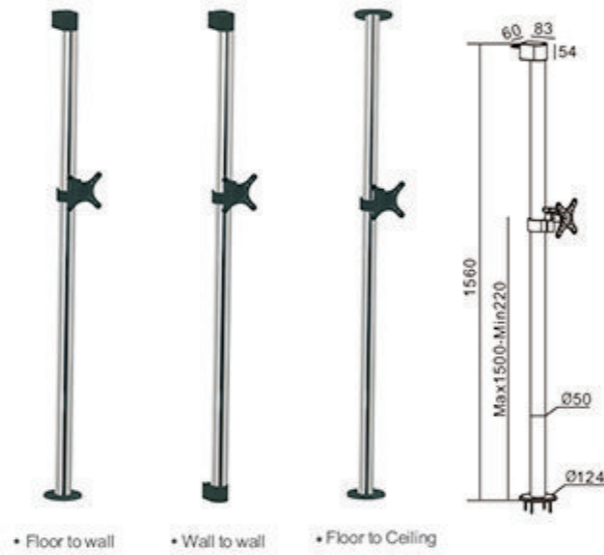
Wall Mount Computer Workstation

Space-Saving Workstation Comfort while working

Model	Color	Material	Suggest Size	Loading Capacity on Monitor Mount	Loading Capacity on Keyboard Tray
DW 002B	Silver/White/Black	SPCC/MDF/Alu	10-24"	10kgs Per Mount	20kgs

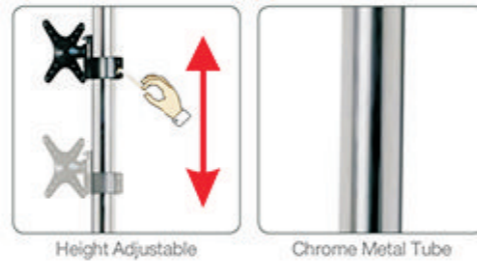
# Wall Mount Computer Workstation

Three installation Options as you like



**WMW 003**

### Product Details



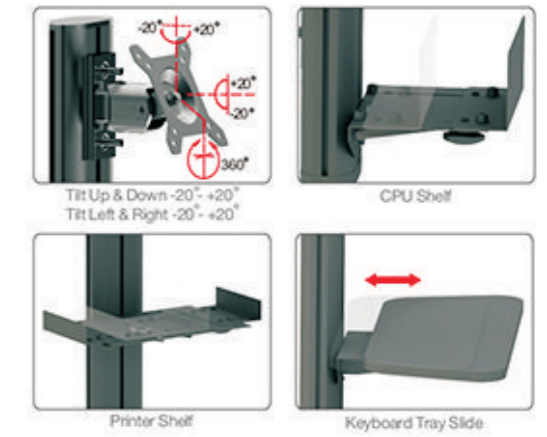
### Optional



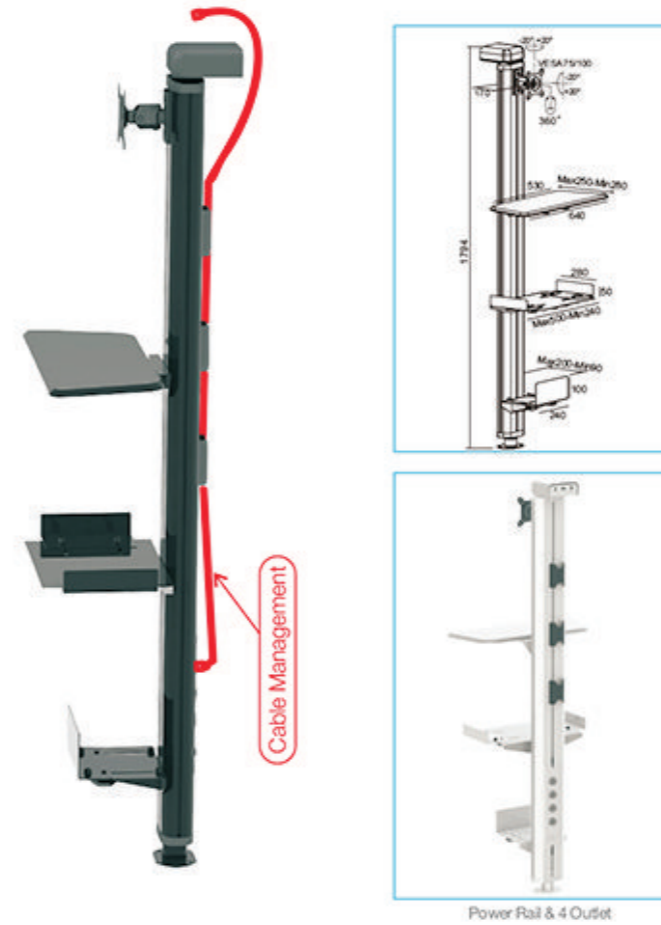
Model	Material	VESA Standard	Suggest Size	Loading Capacity on Monitor Mount	Height Range
WMW 003	Steel	75/100/Optional 200*100	10-24"	25kgs	Max1500-Min1200mm

# Wall Mount Computer Workstation

### Product Details



### Optional



**WMW 001**





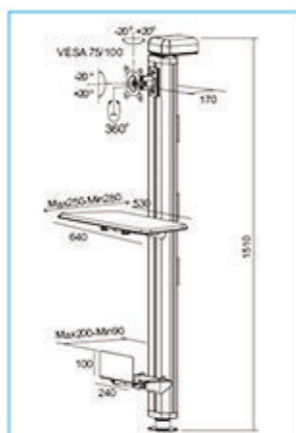
WMW 001A



Wall Mount Adapter-2pcs



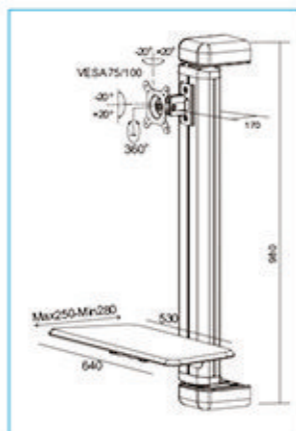
Floor Mount Adapter-1pcs



Power Rail & 2 Outlet



Wall Mount Adapter-2pcs



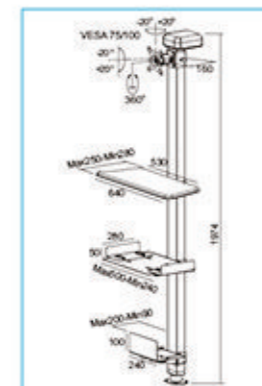
Power Rail & 2 Outlet

WMW 001B

Model	WMW 001	WMW 001A	WMW 001B
Color	Silver / White /Black	Silver / White /Black	Silver / White /Black
Material	SPCC+Alu./MDF	SPCC+Alu./MDF	SPCC+Alu./MDF
VESA Standard	100/75	100/75	100/75
Suggest Size	10-24"	10-24"	10-24"
Loading Capacity on Monitor Mount	10kgs	10kgs	10kgs
Loading Capacity on Keyboard Tray	20kgs	20kgs	20kgs
Loading Capacity on Printer Shelf	20kgs	0kgs	0kgs
Loading Capacity on CPU Holder	20kgs	20kgs	0kgs
Power Rail	Yes	Yes	Yes
Cable Management	Yes	Yes	Yes
Tilt Left & Right	-20° +20°	-20° +20°	-20° +20°
Tilt Up & Down	-20° +20°	-20° +20°	-20° +20°



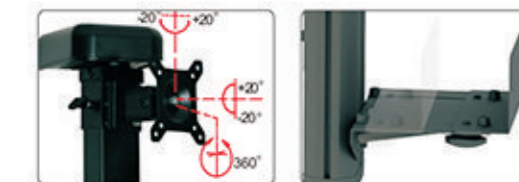
WMW 002



Power Rail & 4 Outlet

## Wall Mount Computer Workstation

### Product Details



Tilt Up & Down -20° +20°  
Tilt Left & Right -20° +20°



CPU Shelf



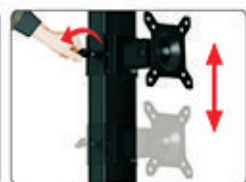
Printer Shelf



Keyboard Tray Slide



Power Rail & 4 Outlet

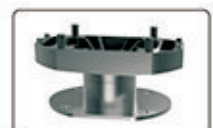


Height Adjustable

### Optional



Wall Mount Adapter-2pcs



Floor Mount Adapter-1pcs



# Wall Mount Computer Workstation

KOFORD DEVELOPMENT CO., LIMITED  
www.kf-ind.com



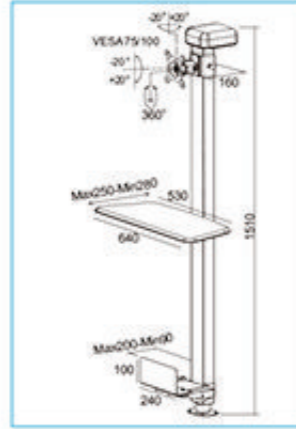
WMW 002A



Wall Mount Adapter-2pcs



Floor Mount Adapter-1pcs



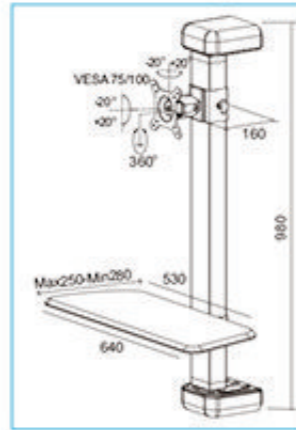
Power Rail & 2 Outlet



WMW 002B



Wall Mount Adapter-2pcs



Power Rail & 2 Outlet

Model	WMW 002	WMW 002A	WMW 002B
Color	Silver / White / Black	Silver / White / Black	Silver / White / Black
Material	SPCC+Alu./MDF	SPCC+Alu./MDF	SPCC+Alu./MDF
VESA Standard	100/75	100/75	100/75
Suggest Size	10-24"	10-24"	10-24"
Loading Capacity on Monitor Mount	10kgs	10kgs	10kgs
Loading Capacity on Keyboard Tray	20kgs	20kgs	20kgs
Loading Capacity on Printer Shelf	20kgs	0kgs	0kgs
Loading Capacity on CPU Holder	20kgs	20kgs	0kgs
Power Rail	Yes	Yes	Yes
Cable Management	Yes	Yes	Yes
Tilt Left & Right	-20° +20°	-20° +20°	-20° +20°
Tilt Up & Down	-20° +20°	-20° +20°	-20° +20°

# Gas Lift Mobile Computer Workstation

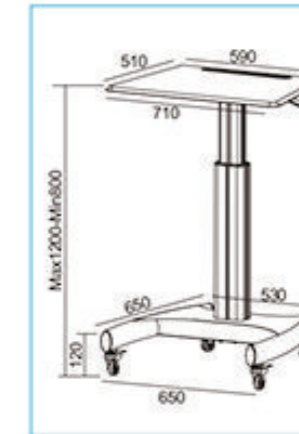


# Gas Lift Mobile Computer Workstation

## Product Details



**GAS 1000**

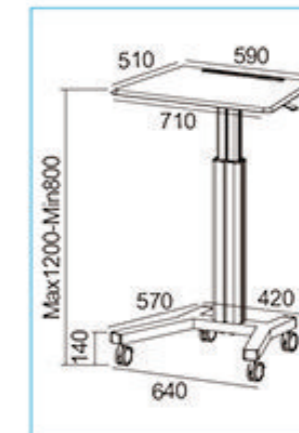


### Optional Part

Available Mount on front & back of pillar and left & right of pillar



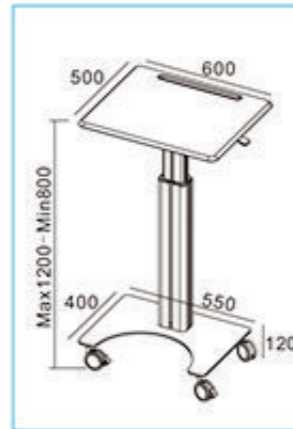
**GAS 1000A**



Model	GAS 1000	GAS 1000A	GAS 1000B	GAS 1000AS
Color	Silver/White/Black	Silver/White/Black	Silver/White/Black	Silver/White/Black
Material	SPCC/Alu./MDF/Gas Lift	SPCC/Alu./MDF/Gas Lift	SPCC/Alu./MDF/Gas Lift	SPCC/Alu./MDF/Gas Lift
VESA Standard	N/A	N/A	N/A	N/A
Suggest Size	Up to 17" Laptop	Up to 17" Laptop	Up to 17" Laptop	Up to 17" Laptop
Loading Capacity on Keyboard Tray	10kgs	10kgs	10kgs	10kgs
Loading Capacity on Storage Box	20kgs	20kgs	20kgs	20kgs
Loading Capacity on Printer Shelf	20kgs	20kgs	20kgs	20kgs
Power Rail	Optional on Base	Optional on Base	Optional on Base	Optional on Base
Cable Management	Yes	Yes	Yes	Yes

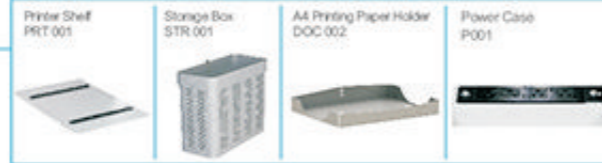


**GAS 1000B**

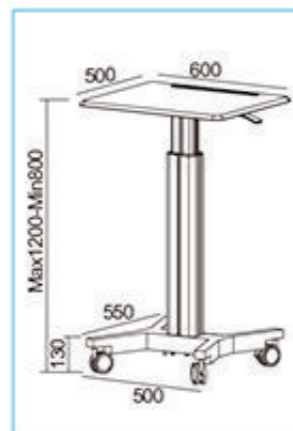


**Optional Part**

Available Mount on front & back of pillar and left & right of pillar

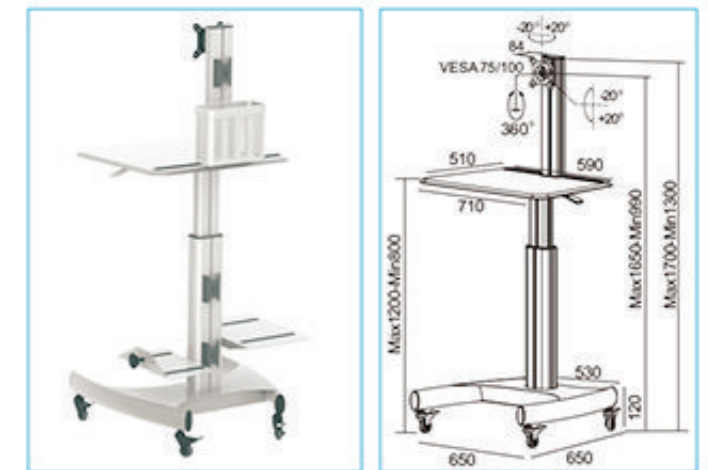


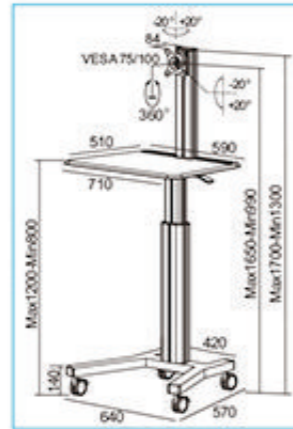
**GAS 1000AS**



**GAS 1601**

**Product Details**



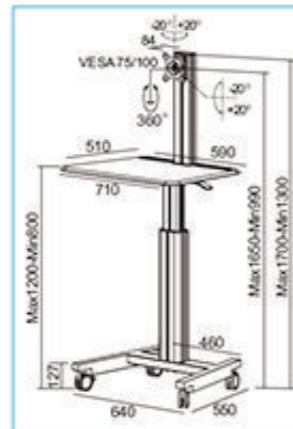


Optional Part

Available Mount on front & back of pillar and left & right of pillar



GAS 1601A



GAS 1601B

Model	GAS 1601	GAS 1601A	GAS 1601B
Color	Silver/White/Black	Silver/White/Black	Silver/White/Black
Material	SPCC/Alu./MDF/Gas Lift	SPCC/Alu./MDF/Gas Lift	SPCC/Alu./MDF/Gas Lift
VESA Standard	100*100, 75*75	100*100, 75*75	100*100, 75*75
Suggest Size	10-24"	10-24"	10-24"
Loading Capacity on Monitor Mount	10kgs Per Mount	10kgs Per Mount	10kgs Per Mount
Loading Capacity on Keyboard Tray	10kgs	10kgs	10kgs
Loading Capacity on CPU Holder	20kgs	20kgs	20kgs
Loading Capacity on Printer Shelf	20kgs	20kgs	20kgs
Loading Capacity on Storage Box	20kgs	20kgs	20kgs
Power Rail	Optional on base	Optional on base	Optional on base
Cable Management	Yes	Yes	Yes
Tilt Up & Down	-20° - +20°	-20° - +20°	-20° - +20°
Tilt Left & Right	-20° - +20°	-20° - +20°	-20° - +20°

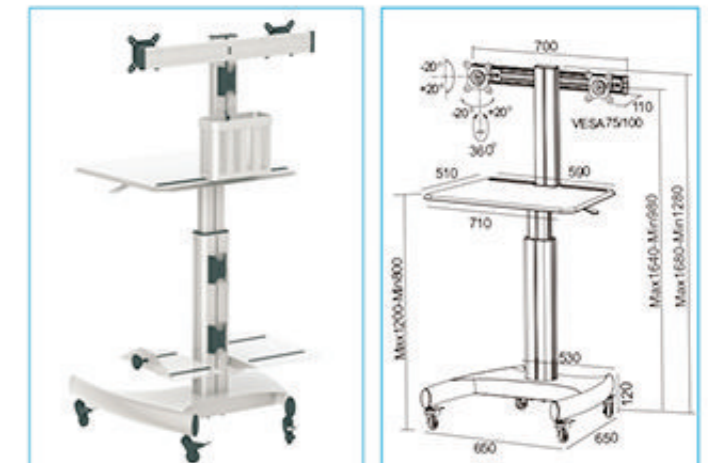


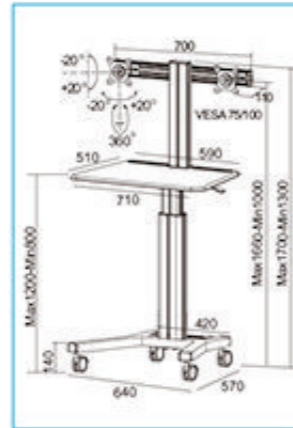
Gas Lift Mobile Computer Workstation



GAS 1602

Product Details

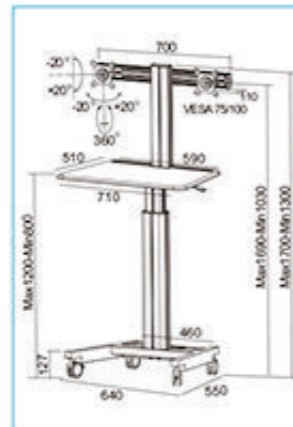




**GAS 1602A**

**Optional Part**

Available Mount on front & back of pillar and left & right of pillar



**GAS 1602B**

Model	GAS 1602	GAS 1602A	GAS 1602B
Color	Silver/White/Black	Silver/White/Black	Silver/White/Black
Material	SPCC/Alu./MDF/Gas Lift	SPCC/Alu./MDF/Gas Lift	SPCC/Alu./MDF/Gas Lift
VESA Standard	100*100, 75*75	100*100, 75*75	100*100, 75*75
Suggest Size	10-24"	10-24"	10-24"
Loading Capacity on Monitor Mount	10kgs Per Mount	10kgs Per Mount	10kgs Per Mount
Loading Capacity on Keyboard Tray	10kgs	10kgs	10kgs
Loading Capacity on CPU Holder	20kgs	20kgs	20kgs
Loading Capacity on Printer Shelf	20kgs	20kgs	20kgs
Loading Capacity on Storage Box	20kgs	20kgs	20kgs
Power Rail	Optional on base	Optional on base	Optional on base
Cable Management	Yes	Yes	Yes
Tilt Up & Down	-20° - +20°	-20° - +20°	-20° - +20°
Tilt Left & Right	-20° - +20°	-20° - +20°	-20° - +20°



Height Adjustment

**GAS 2100**

**Product Details**



Model	GAS 2100
Color	Silver/White/Black
Material	SPCC/MDF/Gas Lift
VESA Standard	N/A
Suggest Size	Up to 17" Laptop
Loading Capacity on Keyboard Tray	10kgs
Loading Capacity on Storage Box	20kgs
Cable Management	Yes



# Gas Lift Mobile Computer Workstation

## Product Details



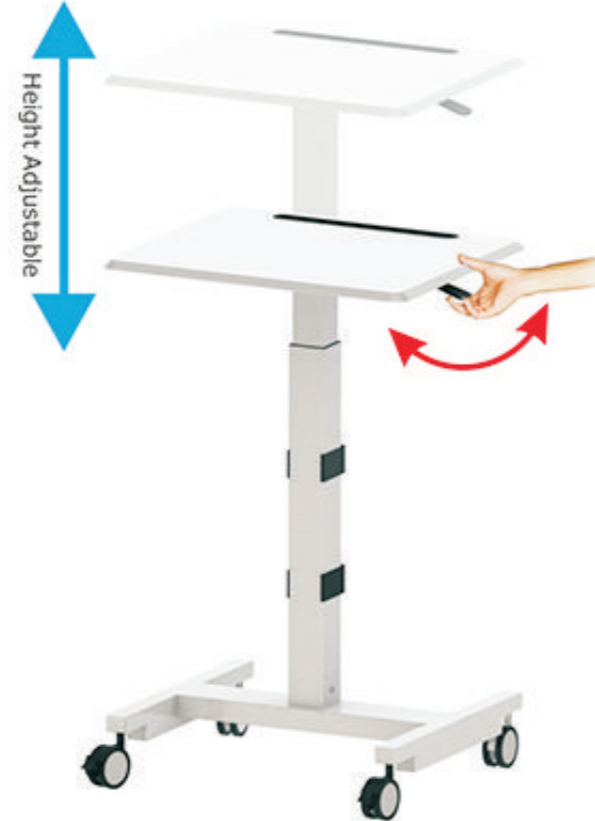
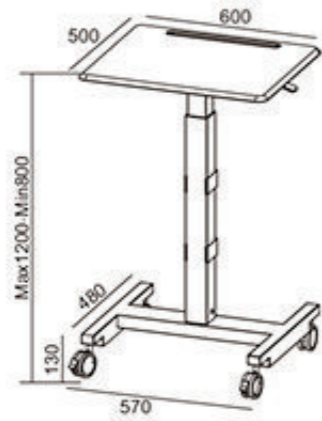
Gas Lift Knob



Storage Slot for phone, tablet and other accessories



optional power rail on base



GAS 2000

## optional Part

Available Mount on front & back of pillar and left & right of pillar



Model	GAS 2000
Suggest Size	10-17" Laptop
Material	SPCC+MDF
Color	Silver/Black/White
Rotation	360°
VESA Standard	N/A
Cable Management	Yes
3-outlet Power Rail	optional on base
Storage Slot	for phone & Tablet etc.
Gas Adjustable Height	Min 800- Max 1200mm
Loading Capacity/ Keyboard Tray	20 kgs
Loading Capacity/ Printer Shelf	20 kgs
Loading Capacity/ Storage Box	20 kgs



## Product Details



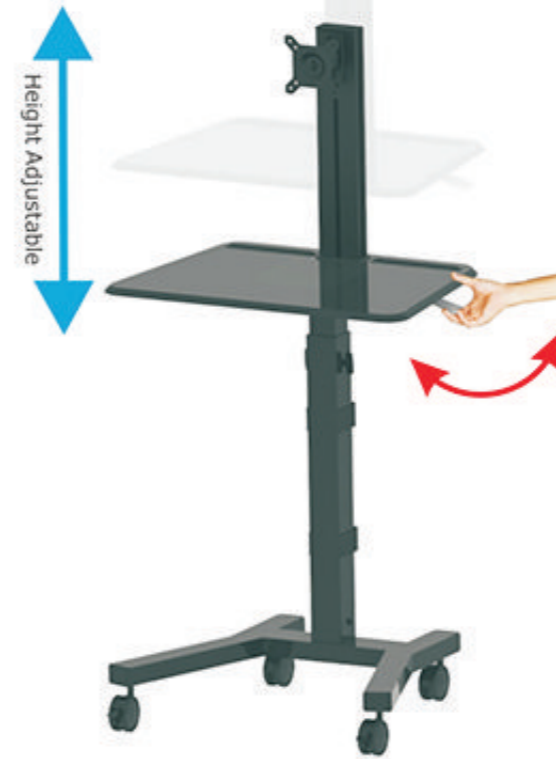
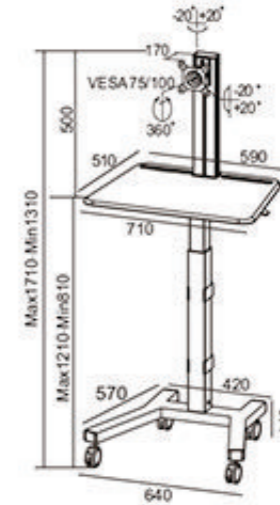
Gas Lift Knob



Storage Slot for phone, tablet and other accessories



optional power rail on base



GAS 2601

## optional Part

Available Mount on front & back of pillar and left & right of pillar



Model	GAS 2601
Suggest Size	10-24" Monitor
Material	SPCC+MDF
Color	Silver/Black/White
Rotation	360°
VESA Standard	75/100
Cable Management	Yes
3-outlet Power Rail	optional on base
Storage Slot	for phone & Tablet etc.
Gas Adjustable Height / Keyboard	Min 810 / Max 1210 mm
Gas Adjustable Height / Monitor	Min 1310 / Max 1710 mm
Loading Capacity/ Monitor Mount	10kgs
Loading Capacity/ Keyboard Tray	20 kgs
Loading Capacity/ Printer Shelf	20 kgs
Loading Capacity/ CPU Shelf	20 kgs
Loading Capacity/ Storage Box	20 kgs



# Manual Mobile Computer Workstation

## Product Details



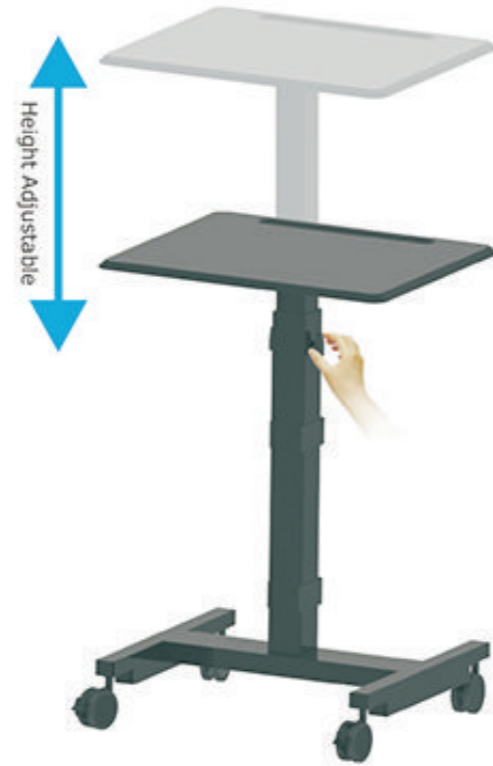
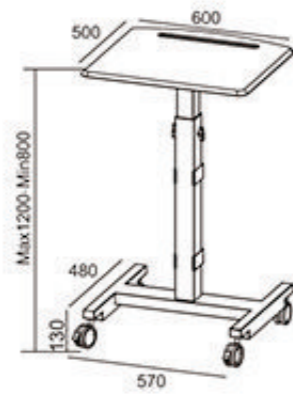
Adjustable Knob



Storage Slot for phone, tablet and other accessories



optional power rail on base



Height Adjustable

PC 2000

## optional Part

Available Mount on front & back of pillar and left & right of pillar



Model	PC 2000
Suggest Size	10-17" Laptop
Material	SPCC+MDF
Color	Silver/Black/White
Rotation	360°
VESA Standard	N/A
Cable Management	Yes
3-outlet Power Rail	optional on base
Storage Slot	for phone & Tablet etc.
Manual Adjustable Height	Min 800/ Max 1200 mm
Loading Capacity/ Keyboard Tray	20 kgs
Loading Capacity/ Printer Shelf	20 kgs
Loading Capacity/ Storage Box	20 kgs



## Product Details



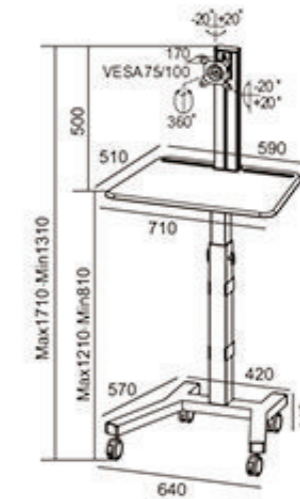
Adjustable Knob



Storage Slot for phone, tablet and other accessories



optional power rail on base



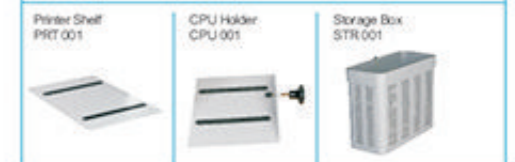
Height Adjustable



PC 2601

## optional Part

Available Mount on front & back of pillar and left & right of pillar



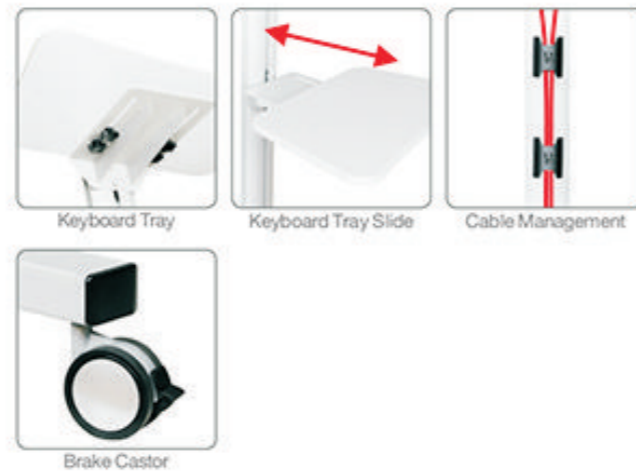
Model	GAS 2601
Suggest Size	10-24" Monitor
Material	SPCC+MDF
Color	Silver/Black/White
Rotation	360°
VESA Standard	75/100
Cable Management	Yes
3-outlet Power Rail	optional on base
Storage Slot	for phone & Tablet etc.
Manual Adjustable Height / Keyboard	Min 810/ Max 1210 mm
Manual Adjustable Height / Monitor	Min 1310 / Max 1710 mm
Loading Capacity/ Monitor Mount	10kgs
Loading Capacity/ Keyboard Tray	20 kgs
Loading Capacity/ Printer Shelf	20 kgs
Loading Capacity/ CPU Shelf	20 kgs
Loading Capacity/ Storage Box	20 kgs



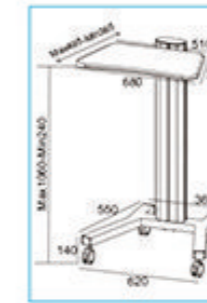
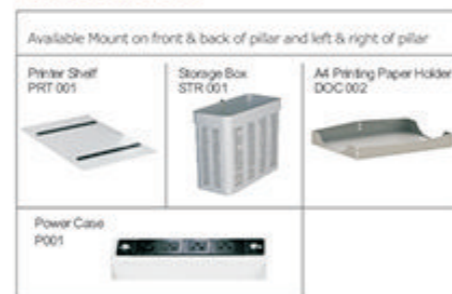
## Manual Mobile Computer Workstation



### Product Details



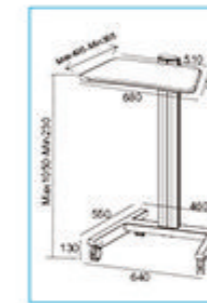
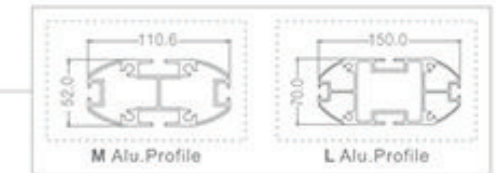
### optional Part



M Alu. Profile  
Optional Power Rail on base

L Alu. Profile  
Power Rail on Pillar

Model	Spec.
PC 1000	L Alu. Profile, Power Rail on Pillar
PC 1000S	M Alu. Profile, Power Rail on base



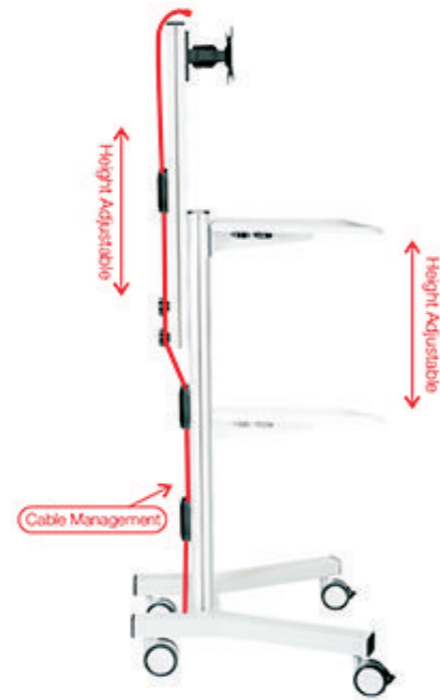
M Alu. Profile  
Optional Power Rail on base

L Alu. Profile  
Power Rail on Pillar

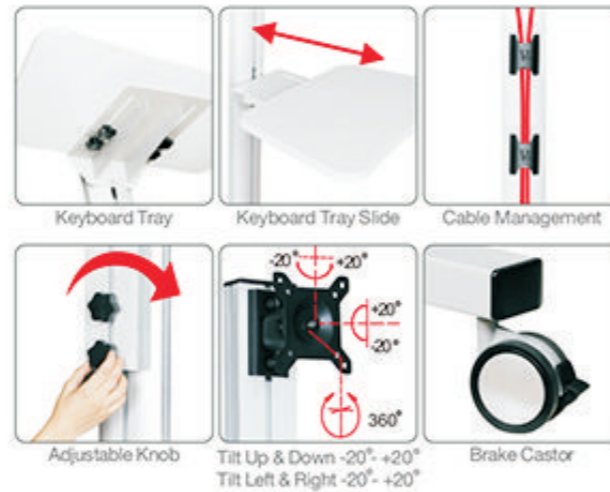
Model	Spec.
PC 1000A	L Alu. Profile, Power Rail on Pillar
PC 1000AS	M Alu. Profile, Power Rail on base

Model	PC 1000	PC 1000S	PC 1000A	PC 1000AS
Color	Silver/White/Black	Silver/White/Black	Silver/White/Black	Silver/White/Black
Material	Alu./SPCC/MDF	Alu./SPCC/MDF	Alu./SPCC/MDF	Alu./SPCC/MDF
Suggest Size	Up to 17" Laptop	Up to 17" Laptop	Up to 17" Laptop	Up to 17" Laptop
Loading on Key board Tray	20kgs	20kgs	20kgs	20kgs
Loading on Storage Box	20kgs	20kgs	20kgs	20kgs
Loading on Printer Shelf	20kgs	20kgs	20kgs	20kgs
Power Rail	Mount on pillar	Optional on base	Mount on pillar	Optional on base
Cable Management	Yes	Yes	Yes	Yes

# Manual Mobile Computer Workstation



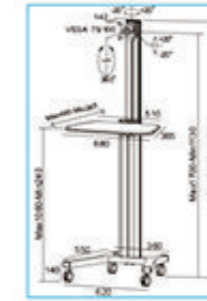
## Product Details



## Optional Part



Available Mount on front & back of pillar and left & right of pillar

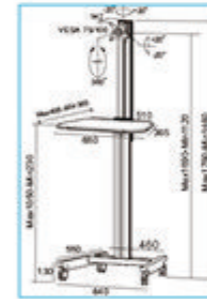
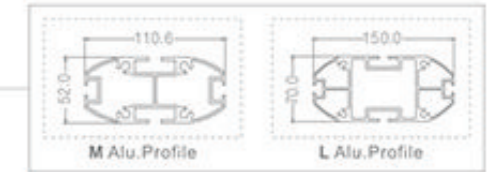


M Alu. Profile  
Optional Power Rail on base



L Alu. Profile  
Power Rail on Pillar

Model	Spec.
PC 1601	L Alu. Profile, Power Rail on Pillar
PC 1601S	M Alu. Profile, Power Rail on base



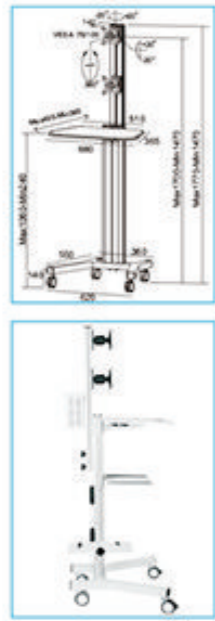
M Alu. Profile  
Optional Power Rail on base



L Alu. Profile  
Power Rail on Pillar

Model	Spec.
PC 1601A	L Alu. Profile, Power Rail on Pillar
PC 1601AS	M Alu. Profile, Power Rail on base

Model	PC 1601	PC 1601S	PC 1601A	PC 1601AS
Color	Silver/White/Black	Silver/White/Black	Silver/White/Black	Silver/White/Black
Material	Alu/SPCC/MDF	Alu/SPCC/MDF	Alu/SPCC/MDF	Alu/SPCC/MDF
VESA Standard	100*100/75*75	100*100/75*75	100*100/75*75	100*100/75*75
Suggest Size	10-24"	10-24"	10-24"	10-24"
Loading Capacity on Monitor Mount	10kgs	10kgs	10kgs	10kgs
Loading Capacity on Keyboard Tray	20kgs	20kgs	20kgs	20kgs
Loading Capacity on CPU Holder	20kgs	20kgs	20kgs	20kgs
Loading Capacity on Printer Shelf	20kgs	20kgs	20kgs	20kgs
Loading Capacity on Storage Box	20kgs	20kgs	20kgs	20kgs
Monitor Tilt Up & Down	$-20^{\circ}$ $+20^{\circ}$	$-20^{\circ}$ $+20^{\circ}$	$-20^{\circ}$ $+20^{\circ}$	$-20^{\circ}$ $+20^{\circ}$
Monitor Tilt Left & Right	$-20^{\circ}$ $+20^{\circ}$	$-20^{\circ}$ $+20^{\circ}$	$-20^{\circ}$ $+20^{\circ}$	$-20^{\circ}$ $+20^{\circ}$
Power Rail	Mount on pillar	Optional on base	Mount on pillar	Optional on base
Cable Management	Yes	Yes	Yes	Yes

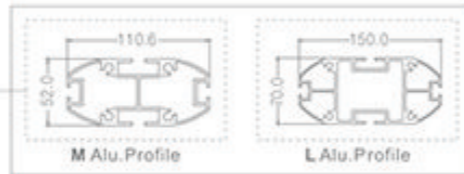


M Alu. Profile  
Optional Power Rail on base



L Alu. Profile  
Power Rail on Pillar

Model	Spec.
PC 1602A	L Alu. Profile, Power Rail on Pillar
PC 1602AS	M Alu. Profile, Power Rail on base



M Alu. Profile  
Optional Power Rail on base



L Alu. Profile  
Power Rail on Pillar

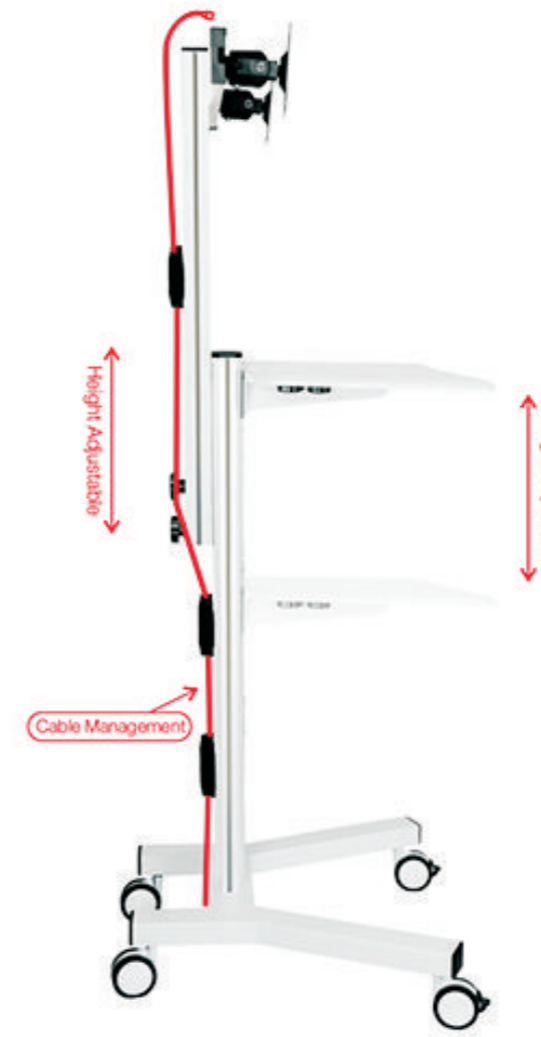
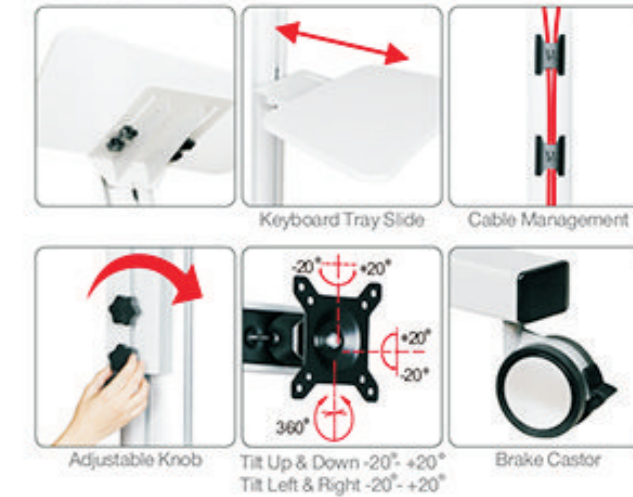
Model	Spec.
PC 1602A	L Alu. Profile, Power Rail on Pillar
PC 1602AAS	M Alu. Profile, Power Rail on base



Model	PC 1602A	PC 1602AS	PC 1602AA	PC 1602AAS
Color	Silver/White/Black	Silver/White/Black	Silver/White/Black	Silver/White/Black
Material	Alu/SPCC/MDF	Alu/SPCC/MDF	Alu/SPCC/MDF	Alu/SPCC/MDF
VESA Standard	100*100/75*75	100*100/75*75	100*100/75*75	100*100/75*75
Suggest Size	10-24"	10-24"	10-24"	10-24"
Loading Capacity on Monitor Mount	10kgs	10kgs	10kgs	10kgs
Loading Capacity on Keyboard Tray	20kgs	20kgs	20kgs	20kgs
Loading Capacity on CPU Holder	20kgs	20kgs	20kgs	20kgs
Loading Capacity on Printer Shelf	20kgs	20kgs	20kgs	20kgs
Loading Capacity on Storage Box	20kgs	20kgs	20kgs	20kgs
Monitor Tilt Up & Down	-20°- +20°	-20°- +20°	-20°- +20°	-20°- +20°
Monitor Tilt Left & Right	-20°- +20°	-20°- +20°	-20°- +20°	-20°- +20°
Power Rail	Mount on pillar	Optional on base	Mount on pillar	Optional on base
Cable Management	Yes	Yes	Yes	Yes

# Manual Mobile Computer Workstation

## Product Details



## Optional Part

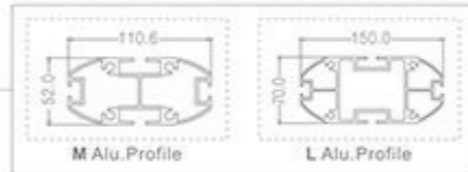




**M Alu. Profile**  
Optional Power Rail on base

**L Alu. Profile**  
Power Rail on Pillar

Model	Spec.
<b>PC 1602B</b>	L Alu. Profile, Power Rail on Pillar
<b>PC 1602BS</b>	M Alu. Profile, Power Rail on base



**M Alu. Profile**  
Optional Power Rail on base

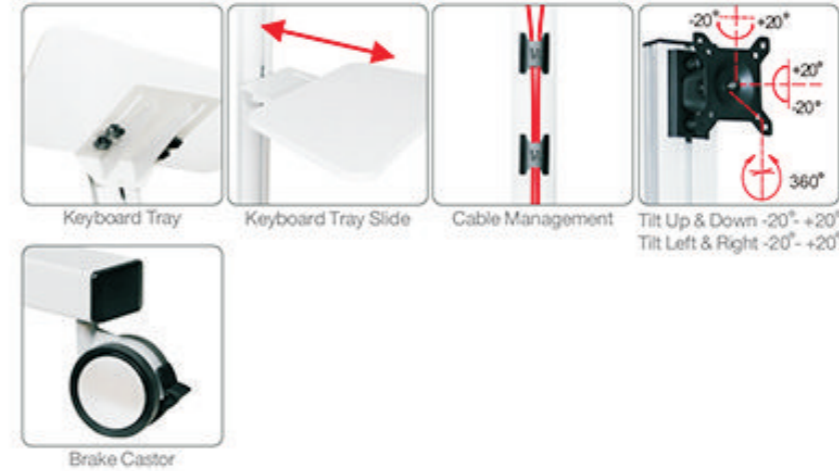
**L Alu. Profile**  
Power Rail on Pillar

Model	Spec.
<b>PC 1602BA</b>	L Alu. Profile, Power Rail on Pillar
<b>PC 1602BAS</b>	M Alu. Profile, Power Rail on base

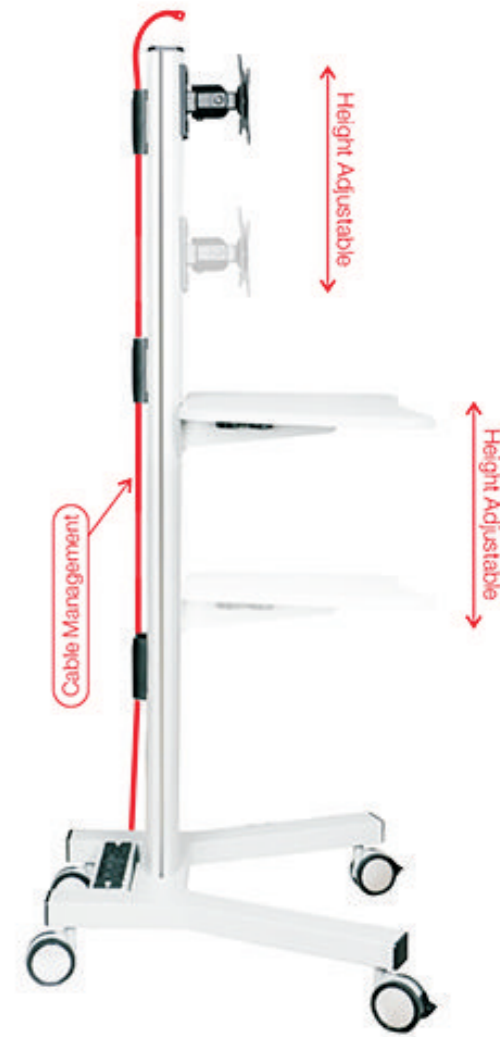
Model	PC 1602A	PC 1602AS	PC 1602AA	PC 1602AAS
Color	Silver/White/Black	Silver/White/Black	Silver/White/Black	Silver/White/Black
Material	Alu/SPCC/MDF	Alu/SPCC/MDF	Alu/SPCC/MDF	Alu/SPCC/MDF
VESA Standard	100*100/75*75	100*100/75*75	100*100/75*75	100*100/75*75
Suggest Size	10-24"	10-24"	10-24"	10-24"
Loading Capacity on Monitor Mount	10kgs	10kgs	10kgs	10kgs
Loading Capacity on Keyboard Tray	20kgs	20kgs	20kgs	20kgs
Loading Capacity on CPU Holder	20kgs	20kgs	20kgs	20kgs
Loading Capacity on Printer Shelf	20kgs	20kgs	20kgs	20kgs
Loading Capacity on Storage Box	20kgs	20kgs	20kgs	20kgs
Monitor Tilt Up & Down	-20°- +20°	-20°- +20°	-20°- +20°	-20°- +20°
Monitor Tilt Left & Right	-20°- +20°	-20°- +20°	-20°- +20°	-20°- +20°
Power Rail	Mount on pillar	Optional on base	Mount on pillar	Optional on base
Cable Management	Yes	Yes	Yes	Yes

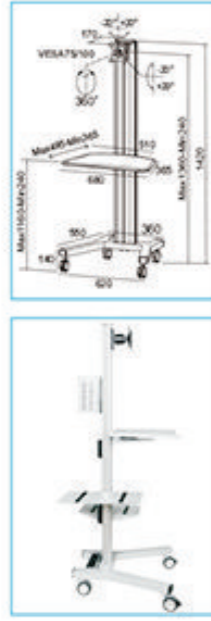
## Manual Mobile Computer Workstation

### Product Details



### Optional Part



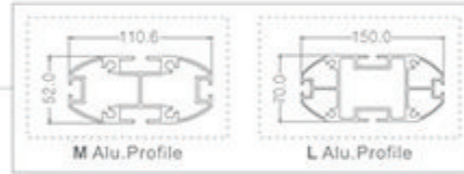


**M Alu. Profile**  
Optional Power Rail on base



**L Alu. Profile**  
Power Rail on Pillar

Model	Spec.
<b>PCM 1201</b>	L Alu. Profile, Power Rail on Pillar
<b>PCM 1201S</b>	M Alu. Profile, Power Rail on base



**M Alu. Profile**  
Optional Power Rail on base



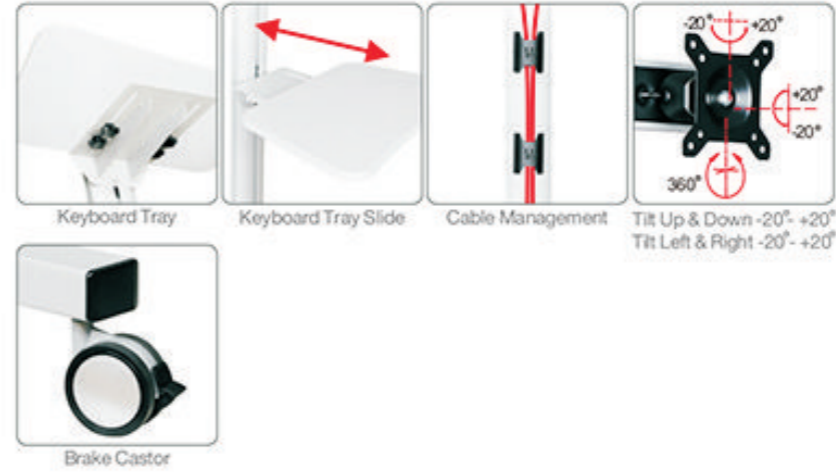
**L Alu. Profile**  
Power Rail on Pillar

Model	Spec.
<b>PCM 1201A</b>	L Alu. Profile, Power Rail on Pillar
<b>PCM 1201AS</b>	M Alu. Profile, Power Rail on base

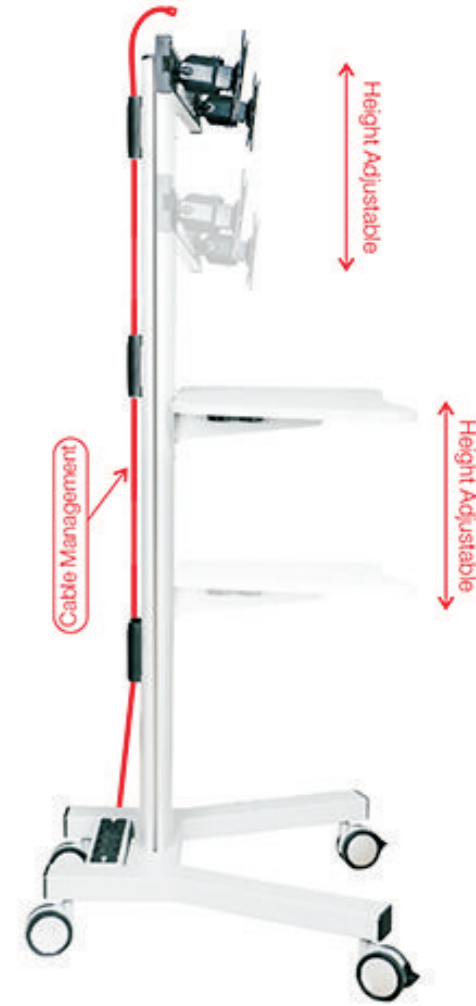
Model	PCM 1201	PCM 1201S	PCM 1201A	PCM 1201AS
Color	Silver/White/Black	Silver/White/Black	Silver/White/Black	Silver/White/Black
Material	Alu/SPCC/MDF	Alu/SPCC/MDF	Alu/SPCC/MDF	Alu/SPCC/MDF
VESA Standard	100*100/75*75	100*100/75*75	100*100/75*75	100*100/75*75
Suggest Size	10-24"	10-24"	10-24"	10-24"
Loading Capacity on Monitor Mount	10kgs	10kgs	10kgs	10kgs
Loading Capacity on Keyboard Tray	20kgs	20kgs	20kgs	20kgs
Loading Capacity on CPU Holder	20kgs	20kgs	20kgs	20kgs
Loading Capacity on Printer Shelf	20kgs	20kgs	20kgs	20kgs
Loading Capacity on Storage Box	20kgs	20kgs	20kgs	20kgs
Monitor Tilt Up & Down	-20°- +20°	-20°- +20°	-20°- +20°	-20°- +20°
Monitor Tilt Left & Right	-20°- +20°	-20°- +20°	-20°- +20°	-20°- +20°
Power Rail	Mount on pillar	Optional on base	Mount on pillar	Optional on base
Cable Management	Yes	Yes	Yes	Yes

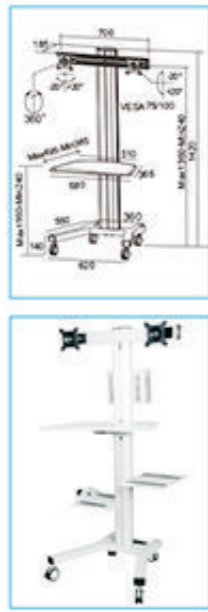
# Manual Mobile Computer Workstation

## Product Details



## Optional Part



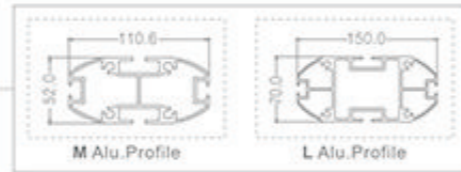


M Alu.Profile  
Optional Power Rail on base



L Alu. Profile  
Power Rail on Pillar

Model	Spec.
<b>PCM 1202</b>	L Alu.Profile, Power Rail on Pillar
<b>PCM 1202S</b>	M Alu. Profile, Power Rail on base



M Alu.Profile  
Optional Power Rail on base



L Alu. Profile  
Power Rail on Pillar

Model	Spec.
<b>PCM 1202A</b>	L Alu.Profile, Power Rail on Pillar
<b>PCM 1202AS</b>	M Alu. Profile, Power Rail on base

Model	PCM 1202	PCM 1202S	PCM 1202A	PCM 1202AS
Color	Silver/White/Black	Silver/White/Black	Silver/White/Black	Silver/White/Black
Material	Alu/SPCC/MDF	Alu/SPCC/MDF	Alu/SPCC/MDF	Alu/SPCC/MDF
VESA Standard	100*100/75*75	100*100/75*75	100*100/75*75	100*100/75*75
Suggest Size	10-24"	10-24"	10-24"	10-24"
Loading Capacity on Monitor Mount	10kgs	10kgs	10kgs	10kgs
Loading Capacity on Keyboard Tray	20kgs	20kgs	20kgs	20kgs
Loading Capacity on CPU Holder	20kgs	20kgs	20kgs	20kgs
Loading Capacity on Printer Shelf	20kgs	20kgs	20kgs	20kgs
Loading Capacity on Storage Box	20kgs	20kgs	20kgs	20kgs
Monitor Tilt Up & Down	-20°- +20°	-20°- +20°	-20°- +20°	-20°- +20°
Monitor Tilt Left & Right	-20°- +20°	-20°- +20°	-20°- +20°	-20°- +20°
Power Rail	Mount on pillar	Optional on base	Mount on pillar	Optional on base
Cable Management	Yes	Yes	Yes	Yes



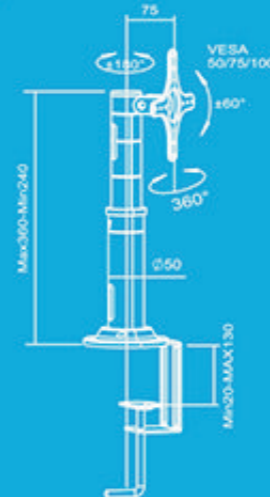
## Manual Desktop Monitor mount

### SPECIFICATIONS

- Color: Black or Silver
- Material: Alu./Metal/Plastic/SPCC
- Table Standing



LCD 100A



Tilt



Both Grommet and desk clamp mounting available



Cable Management

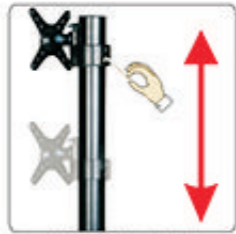


Model	Suggest Size	Loading Capacity	VESA Standard	Height Adjustment	Tilt Up & Down	Tilt Left & Right	Cable Management
LCD 100A	10-24"	10kgs	Max.100*100	Yes	180°	180°	Yes





Tilt



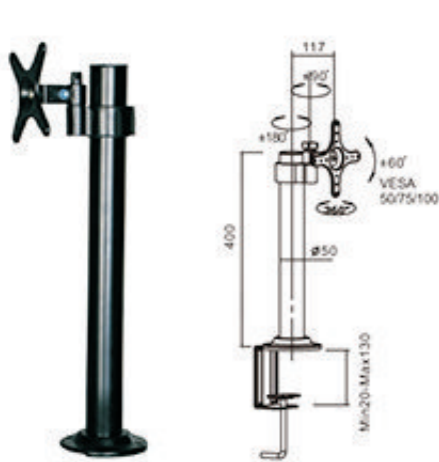
Height Adjustable



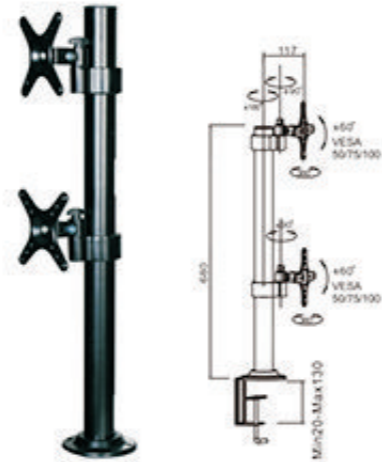
Cable Management



Both Grommet and desk clamp mounting available



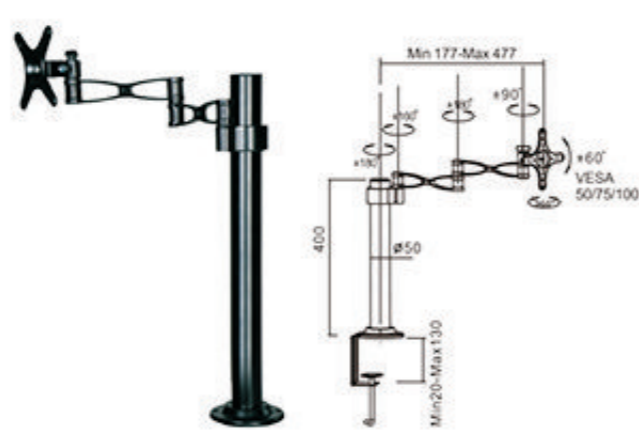
LCD 100



LCD 200



LCD 101

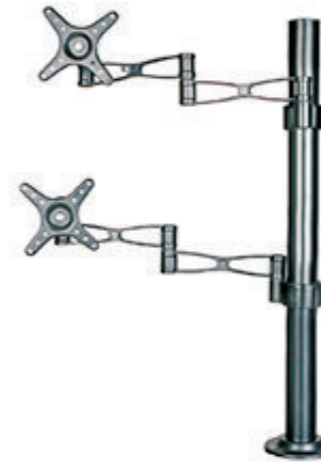


LCD 102

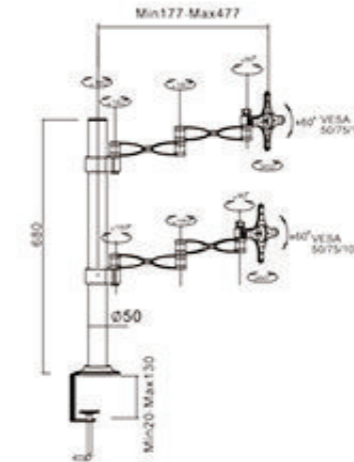
Model	Suggest Size	Loading Capacity	VESA Standard	Height Adjustment	Tilt Up & Down	Tilt Left & Right	Cable Management
LCD 100	10-24"	10kgs	Max.100*100	Yes	180°	180°	Yes
LCD 200	10-24"	10kgs Per Mount	Max.100*100	Yes	180°	180°	Yes
LCD 101	10-24"	10kgs	Max.100*100	Yes	180°	180°	Yes
LCD 102	10-24"	10kgs	Max.100*100	Yes	180°	180°	Yes

SPECIFICATIONS

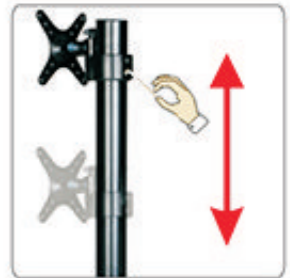
Color:Black or Silver  
Material:Alu./Metal/Plastic/SPCC  
Table Standing  
Cable Management



LCD 272



Tilt



Height Adjustable

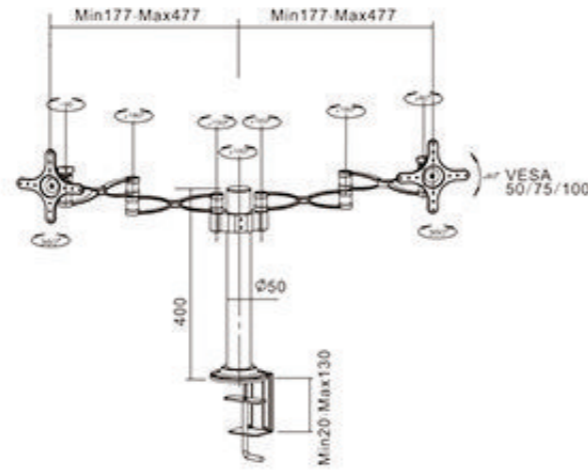


Cable Management

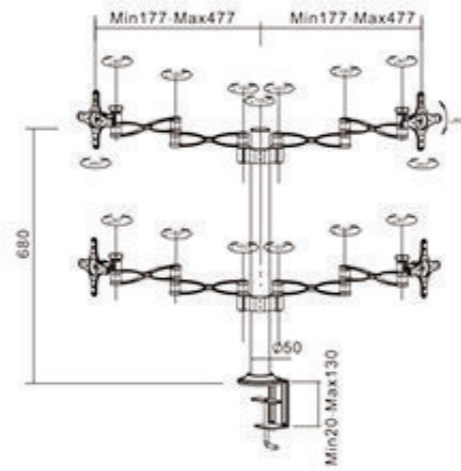


Both Grommet and desk clamp mounting available

Model	Suggest Size	Loading Capacity	VESA Standard	Height Adjustment	Tilt Up & Down	Tilt Left & Right	Cable Management
LCD 272	10-24"	10kgs Per Mount	Max.100*100	Yes	180°	180°	Yes



LCD 202



LCD 402

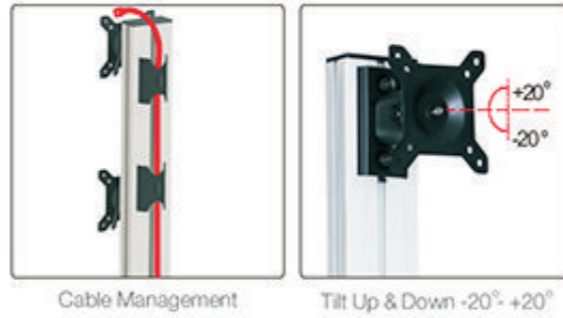
Model	Suggest Size	Loading Capacity	VESA Standard	Height Adjustment	Tilt Up & Down	Tilt Left & Right	Cable Management
LCD 202	10-24"	10kgs Per Mount	Max.100*100	Yes	180°	180°	Yes
LCD 402	10-24"	10kgs Per Mount	Max.100*100	Yes	180°	180°	Yes



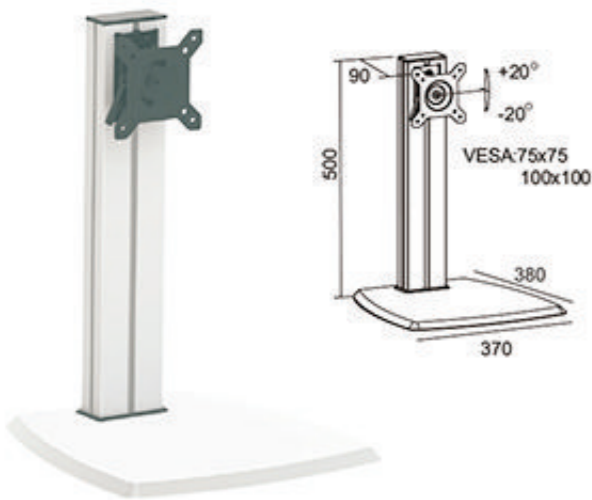


**SPECIFICATIONS**

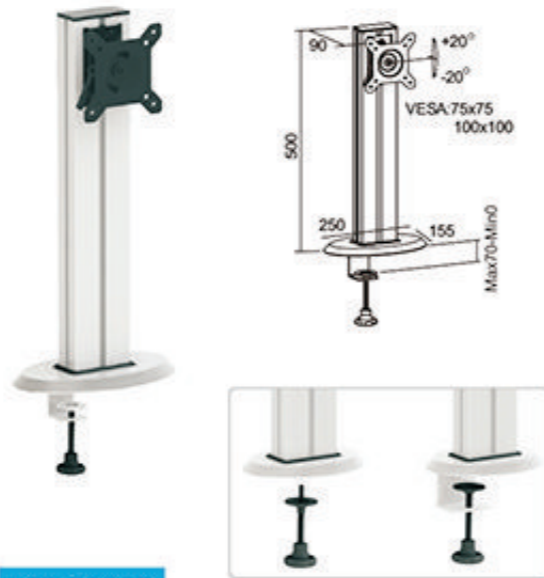
Color:Black / Silver / white  
Material:Alu./Metal/Plastic/MDF  
Table / Grommet / Clamp  
Cable Management



Cable Management Tilt Up & Down -20° +20°



**LCD 0001A**



**LCD 0001B**

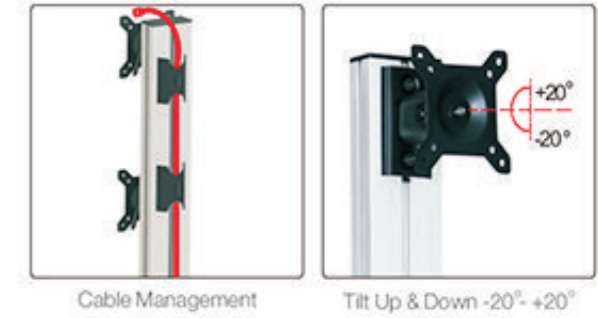
Both Grommet and desk Clamp mounting include

Model	Suggest Size	Loading Capacity	VESA Standard	Height Adjustment	Tilt Up & Down	Table/Grommet/Clamp
LCD 0001A	10-32"	10kgs Per Mount	75*75/100*100 200*100 Optional	Yes	-20° +20°	Table Stand
LCD 0001B	10-32"	10kgs Per Mount	75*75/100*100 200*100 Optional	Yes	-20° +20°	Grommet / Clamp

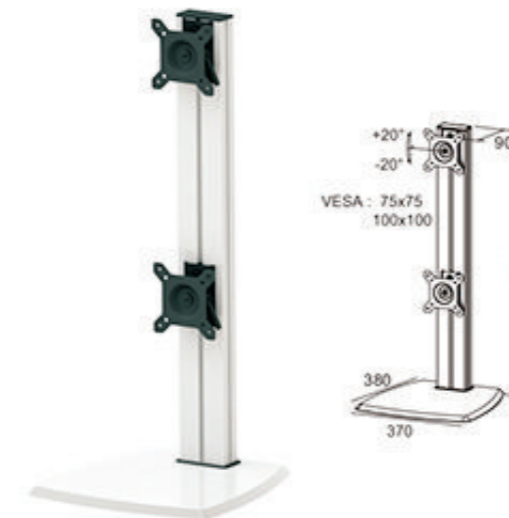


**SPECIFICATIONS**

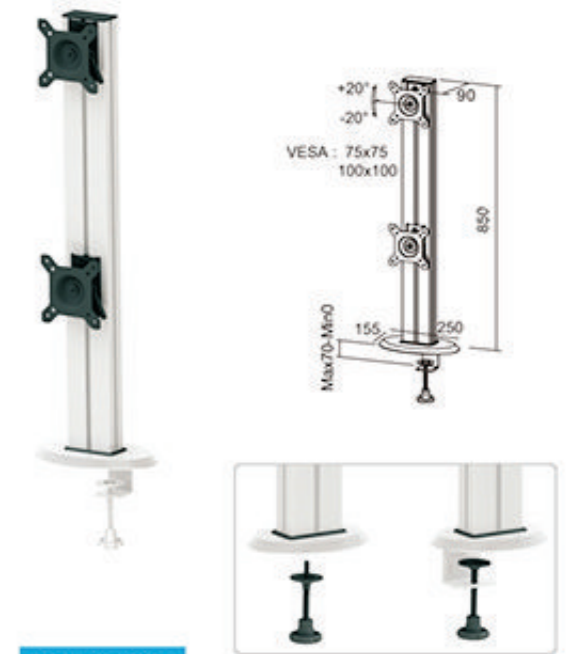
Color:Black / Silver / white  
Material:Alu./Metal/Plastic/MDF  
Table / Grommet / Clamp  
Cable Management



Cable Management Tilt Up & Down -20° +20°



**LCD 0002A1**



**LCD 0002A2**

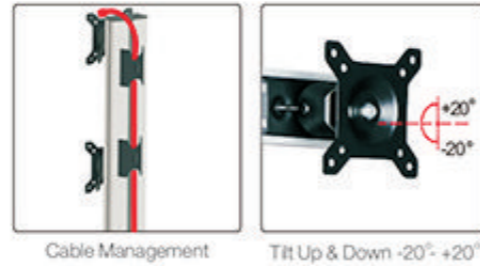
Both Grommet and desk Clamp mounting include

Model	Suggest Size	Loading Capacity	VESA Standard	Height Adjustment	Tilt Up & Down	Table/Grommet/Clamp
LCD 0002A1	10-32"	10kgs Per Mount	75*75/100*100 200*100 Optional	Yes	-20° +20°	Table Stand
LCD 0002A2	10-32"	10kgs Per Mount	75*75/100*100 200*100 Optional	Yes	-20° +20°	Grommet / Clamp



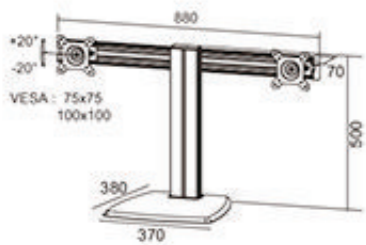
**SPECIFICATIONS**

Color:Black / Silver / white  
Material:Alu./Metal/Plastic/MDF  
Table / Grommet / Clamp  
Cable Management



Cable Management

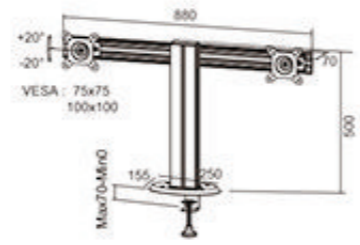
Tilt Up & Down -20° +20°



**LCD 0002B1**



Both Grommet and desk Clamp mounting include



**LCD 0002B2**

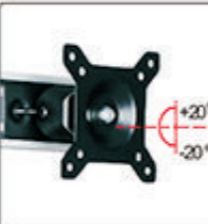
Model	Suggest Size	Loading Capacity	VESA Standard	Height Adjustment	Tilt Up & Down	Table/Grommet/Clamp
LCD 0002B1	10-32"	10kgs Per Mount	75*75/100*100 200*100 Optional	Yes	-20° +20°	Table Stand
LCD 0002B2	10-32"	10kgs Per Mount	75*75/100*100 200*100 Optional	Yes	-20° +20°	Grommet / Clamp

**SPECIFICATIONS**

Color:Black / Silver / white  
Material:Alu./Metal/Plastic/MDF  
Table / Grommet / Clamp  
Cable Management



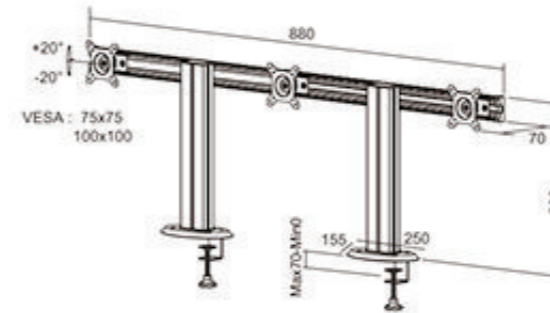
Cable Management



Tilt Up & Down -20° +20°



**LCD 0003A**



Both Grommet and desk Clamp mounting include

**LCD 0003B**

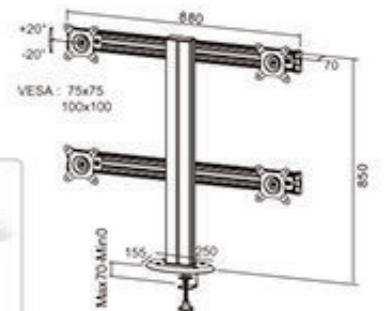
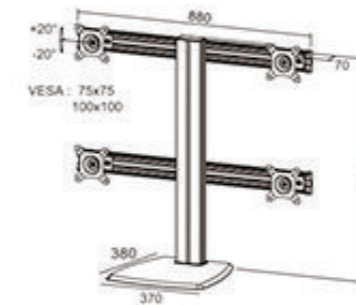
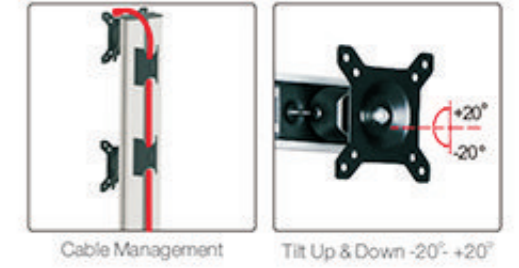
Model	Suggest Size	Loading Capacity	VESA Standard	Height Adjustment	Tilt Up & Down	Table/Grommet/Clamp
LCD 0003A	10-32"	10kgs Per Mount	75*75/100*100 200*100 Optional	Yes	-20° +20°	Table Stand
LCD 0003B	10-32"	10kgs Per Mount	75*75/100*100 200*100 Optional	Yes	-20° +20°	Grommet / Clamp

Increase Vision and increase work efficiency



**SPECIFICATIONS**

Color: Black / Silver / white  
Material: Alu./Metal/Plastic/MDF  
Table / Grommet / Clamp  
Cable Management



LCD 0004A

Both Grommet and desk Clamp mounting include

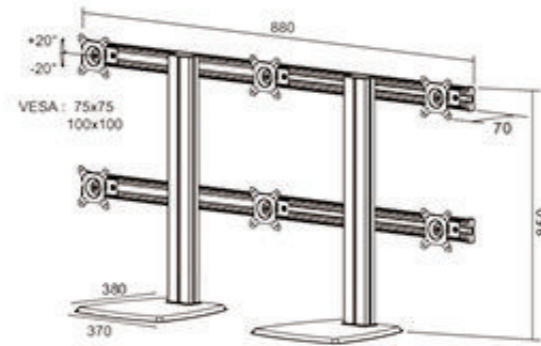
LCD 0004B

Model	Suggest Size	Loading Capacity	VESA Standard	Height Adjustment	Tilt Up & Down	Table/Grommet/Clamp
LCD 0004A	10-32"	10kgs Per Mount	75*75/100*100 200*100 Optional	Yes	-20° +20°	Table Stand
LCD 0004B	10-32"	10kgs Per Mount	75*75/100*100 200*100 Optional	Yes	-20° +20°	Grommet / Clamp

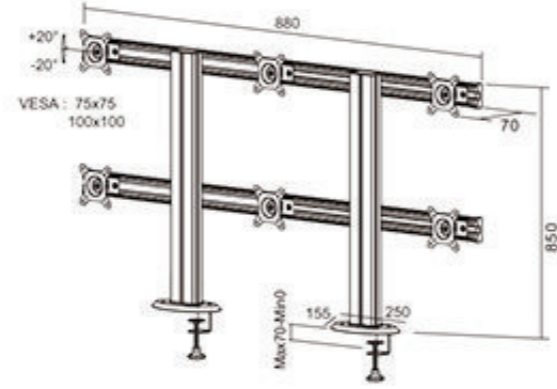
## Manual Desktop Monitor Mount

KOFORD DEVELOPMENT CO., LIMITED  
www.kf-ind.com

www.kf-ind.com



LCD 0006A



Both Grommet and desk Clamp mounting include

LCD 0006B

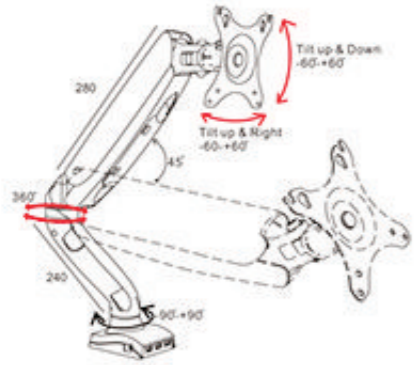
Model	Suggest Size	Loading Capacity	VESA Standard	Height Adjustment	Tilt Up & Down	Table/Grommet/Clamp
LCD 0006A	10-32"	10kgs Per Mount	75*75/100*100 200*100 Optional	Yes	-20° - +20°	Table Stand
LCD 0006B	10-32"	10kgs Per Mount	75*75/100*100 200*100 Optional	Yes	-20° - +20°	Grommet / Clamp



## Gas Lift Desktop Monitor Mount

Come true 360 degree direction rotation, and the angle could be adjusted randomly





LCD 3001

- 10-24" / 25-61cm
- Per screen 3-8kg / 6.6-17.6lbs
- 75/100
- Easy Tilt
- Cable Management
- Easy Assembly



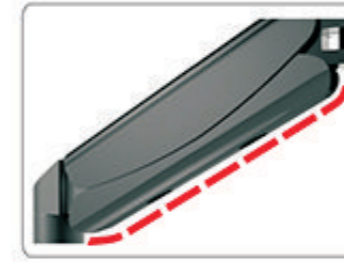
Gas Lift



USB Hub integrated Optional



Both Grommet and desk clamp mounting available



Cable management



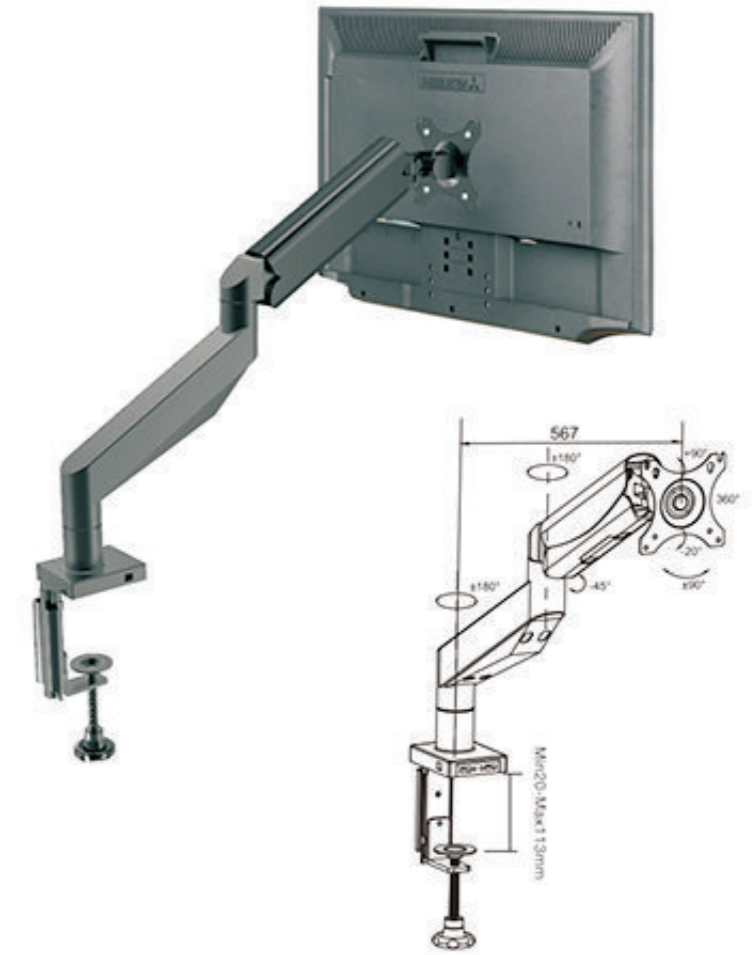
Cable management



Both Grommet and desk clamp mounting available



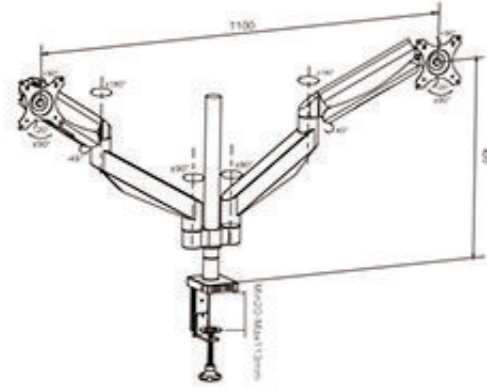
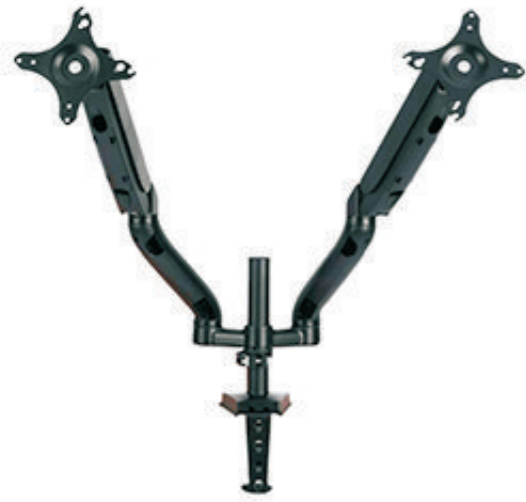
USB & MIC integrated



LCD 3001A

- 10-24" / 25-61cm
- Per screen 3-8kg / 6.6-17.6lbs
- 75/100
- Easy Tilt
- Cable Management
- Easy Assembly





Both Grommet and desk clamp mounting available



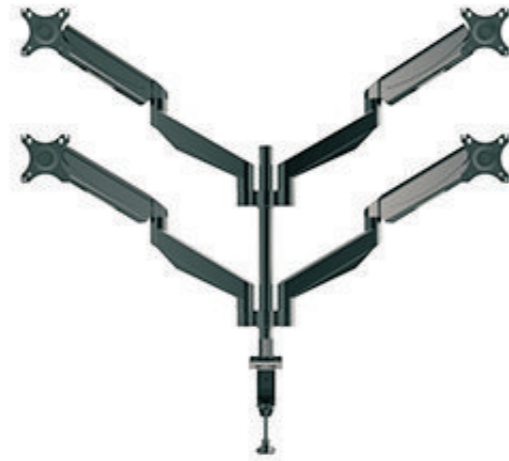
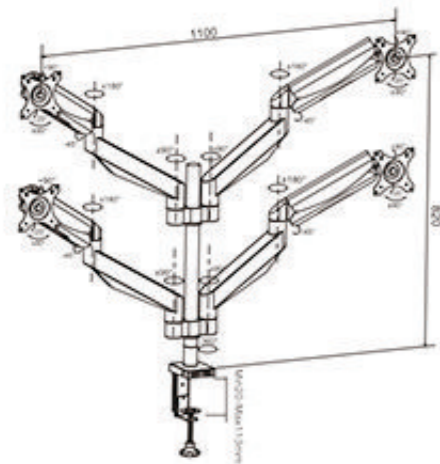
USB Hub Integrated Optional



Set it right fully adjustable monitor arm

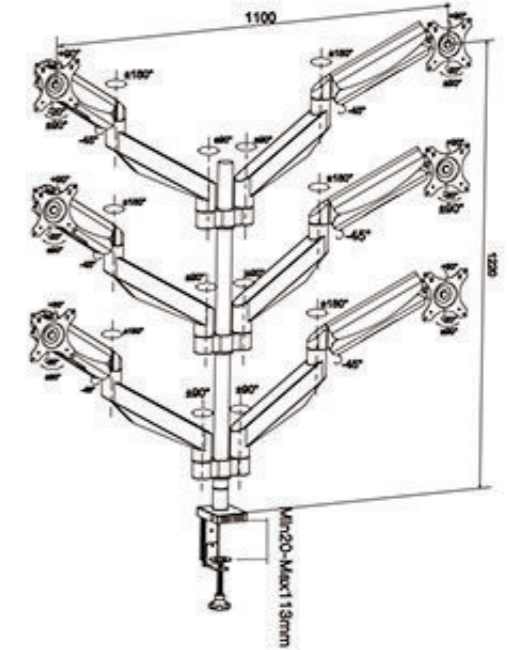
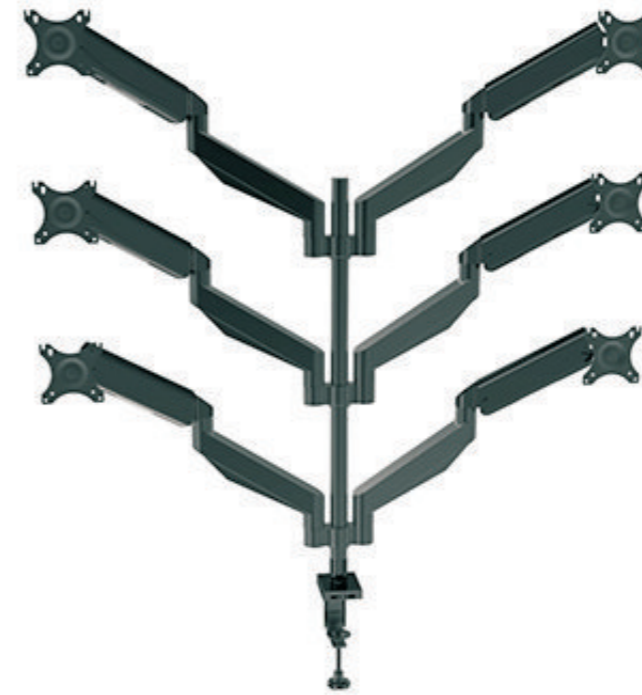
- 
- 
- 
- 
- 
- 

LCD 3002



- 
- 
- 
- 
- 
- 

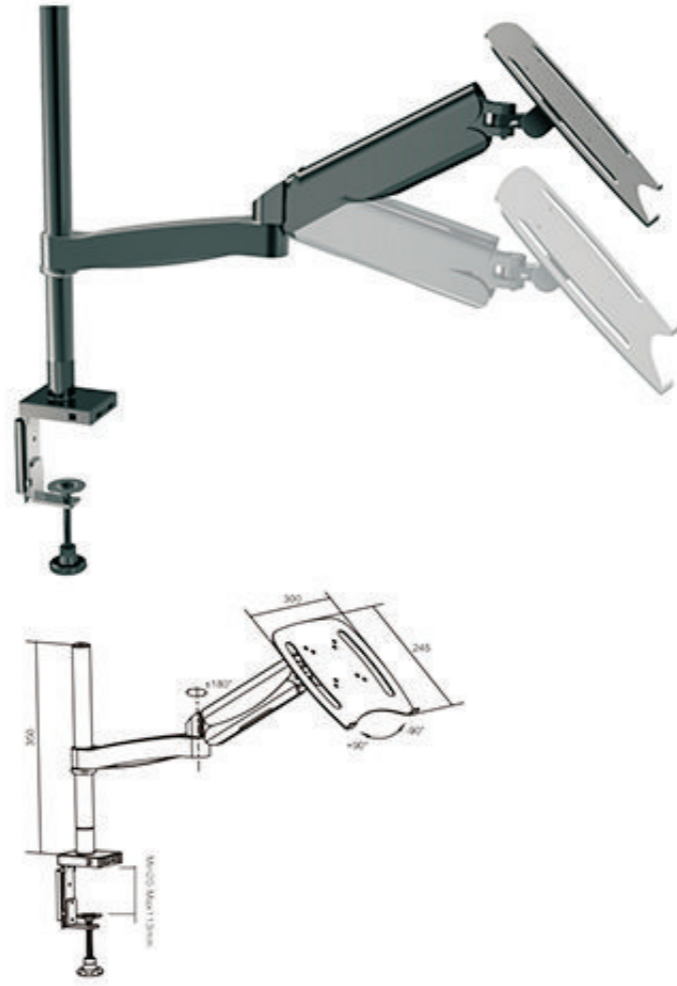
LCD 3004



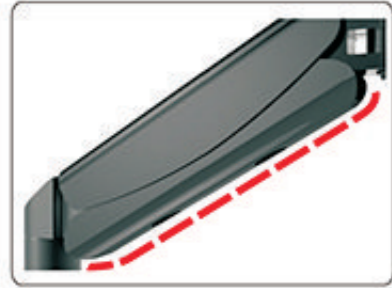
- 
- 
- 
- 
- 
- 

LCD 3006





LCD 3001N



Cable management



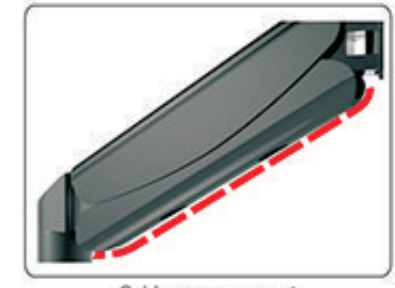
Both Grommet and desk clamp mounting available



USB & MIC integrated



LCD 3002N



Cable management



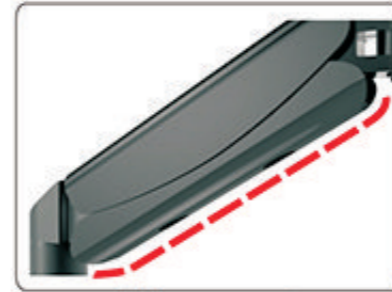
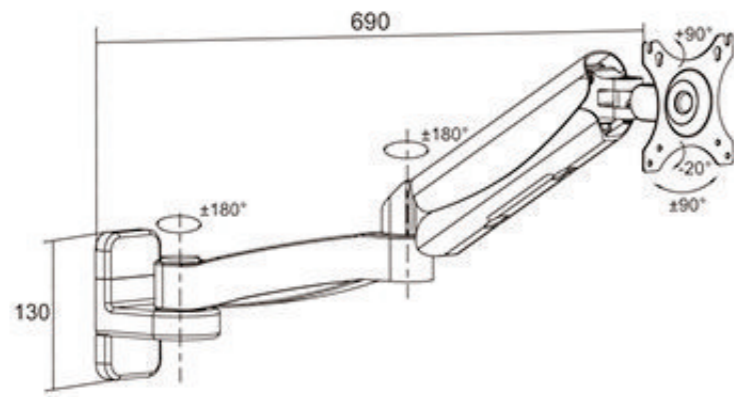
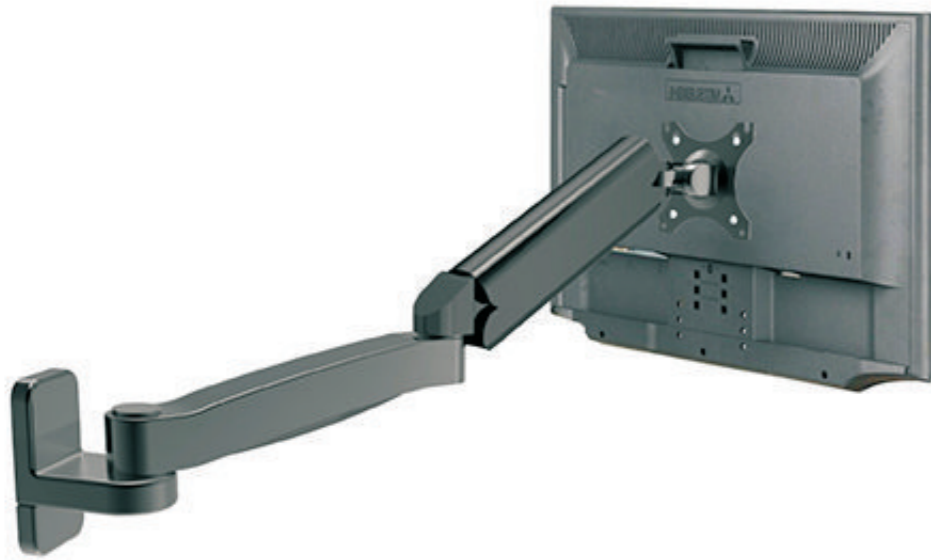
Both Grommet and desk clamp mounting available



USB & MIC integrated

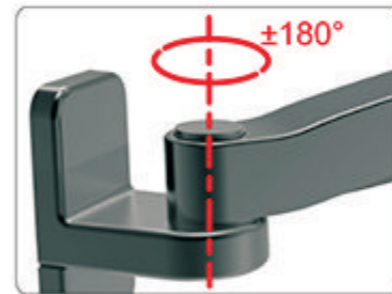


# Gas Lift Desktop Monitor Mount

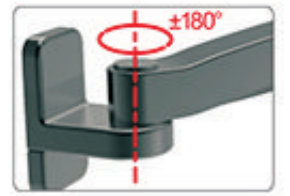


Cable management

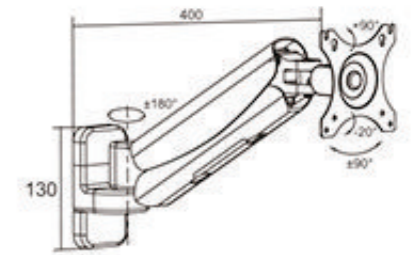
LCD W001



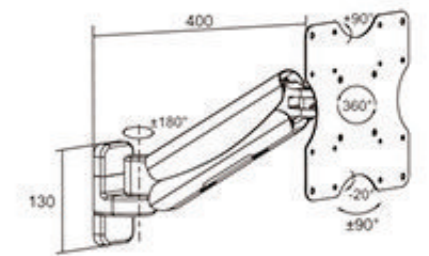
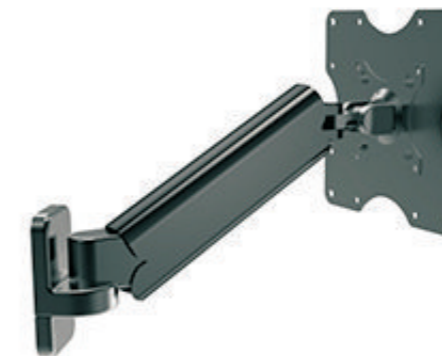
# Gas Lift Desktop Monitor Mount



Cable Management



LCD W002



LCD W003





**SPECIFICATIONS**

Color: Silver / Black / White  
Material: SPCC+Alu  
Compatible Devices: Optional  
Charging Cable Optional  
Rotation / Tilt / Locking

**Optional Part:**  
1.5m Data Cable



**iPad or Tablet Mount & Stand**

We could select the iPad size which is suit for ourselves according to personal requirement.

→ **Universal Case:**

- IP 2-3-4  
265x210x21mm
- IP 9.7"  
265x194x21mm
- IP 10.2"  
275x199x21mm
- IP 10.5"  
275x199x21mm
- IP 12.9"  
330\*245x21mm



# iPad or Tablet Mount & Stand

## SPECIFICATIONS

Color: Black / Silver / White  
 Material: SPCC+Alu  
 Compatible Devices: Optional  
 Charging Cable Optional  
 Rotation/Tilt/Locking

Optional Part:  
 1.5m Data Cable



KOFORD DEVELOPMENT CO., LIMITED  
 www.kf-ind.com

# iPad or Tablet Mount & Stand



PAD 3010

## SPECIFICATIONS

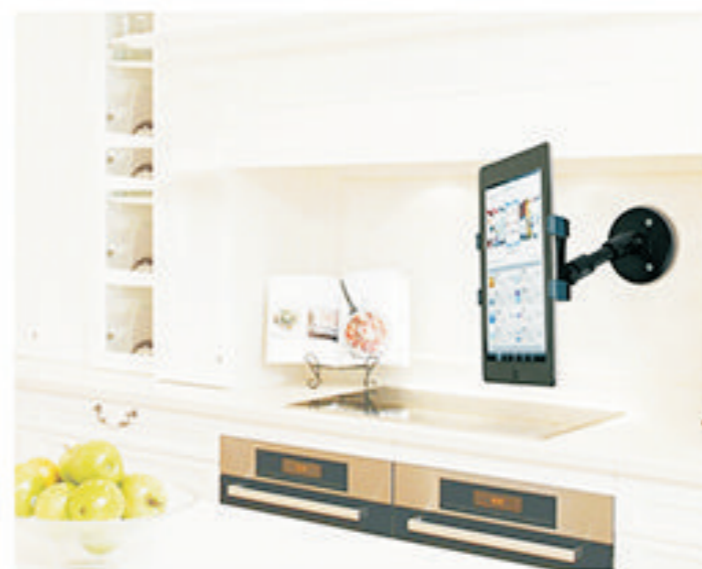
Bracket fits most 7" to 10" tablets  
 Rotates 360 degrees in both directions  
 Angle Adjustable  
 Swivels 360 degrees



PAD 2011



PAD 2012



PAD 3011

## SPECIFICATIONS

Bracket fits most 7" to 10" tablets  
 Rotates 360 degrees in both directions  
 Angle Adjustable  
 Swivels 360 degrees



## iPad or Tablet Mount & Stand

KOFORD DEVELOPMENT CO., LIMITED  
www.kf-ind.com



PAD 005

### SPECIFICATIONS

Bracket fits most 7" to 10" tablets  
Rotates 360 degrees in both directions  
Angle Adjustable  
Swivels 360 degrees  
Stable Weighted base  
Comes in two Colors: Black or White



PAD 005A

### SPECIFICATIONS

Bracket fits most 7" to 10" tablets  
Rotates 360 degrees in both directions  
Angle Adjustable  
Swivels 360 degrees  
Stable Weighted base  
Comes in two Colors: Black or White



## iPad or Tablet Mount & Stand



We could select the iPad size which is suit for ourselves according to Personal requirement.

### Universal Case:





**SPECIFICATIONS**

Color: Silver / Black / White  
Material: SPCC+Alu  
Compatible Devices: Optional  
Charging Cable Optional  
Rotation / Tilt / Locking

**Optional Part:**

1.5m Data Cable

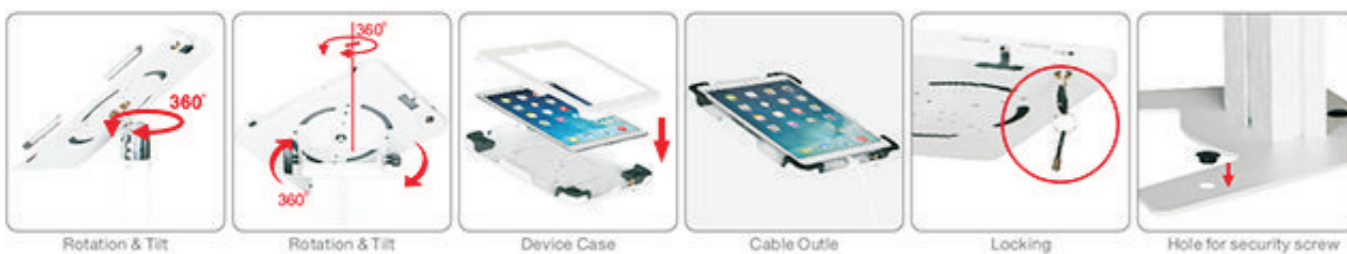


**SPECIFICATIONS**

Color: Silver / Black / White  
Material: SPCC+Alu  
Compatible Devices: Optional  
Charging Cable Optional  
Rotation / Tilt / Locking

**Optional Part:**

1.5m Data Cable



## iPad or Tablet Mount & Stand

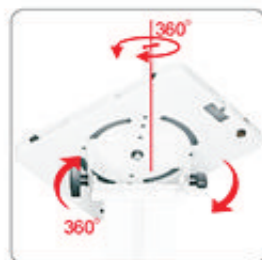
KOFORD DEVELOPMENT CO., LIMITED  
www.kf-ind.com

### SPECIFICATIONS

Color: Silver / Black / White  
Material: SPCC+Alu  
Compatible Devices: Optional  
Charging Cable Optional  
Rotation / Tilt / Locking

#### Optional Part:

1.5m Data Cable



## iPad or Tablet Mount & Stand

We could select the iPad size which is suit for ourselves according to Personal requirement.



# iPad or Tablet Mount & Stand

KOFORD DEVELOPMENT CO., LIMITED  
www.kf-ind.com

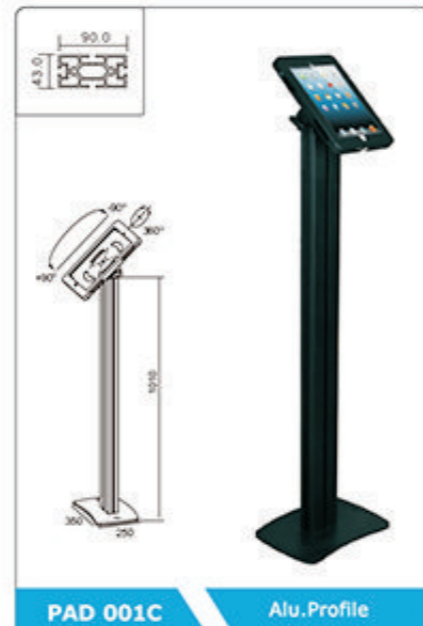


### SPECIFICATIONS

Color: Silver / Black / White  
Material: SPCC+Alu  
Compatible Devices: Optional  
Charging Cable Optional  
Rotation / Tilt / Locking

#### Optional Part:

1.5m Data Cable



## iPad or Tablet Mount & Stand

We could select the iPad size which is suit for ourselves according to Personal requirement.



#### Universal Case:





# iPad or Tablet Mount & Stand

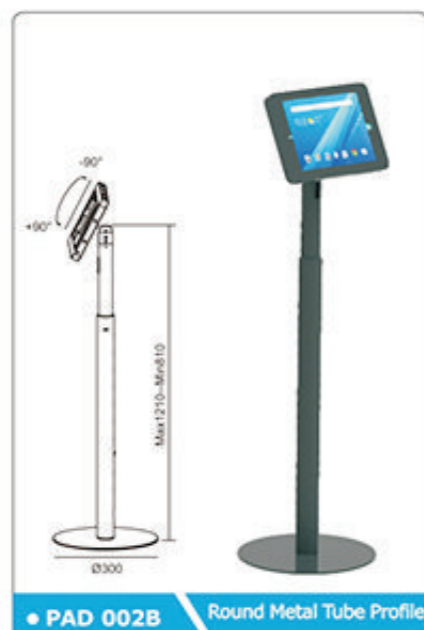
KOFORD DEVELOPMENT CO., LIMITED  
www.kf-ind.com



## SPECIFICATIONS

Color: Silver / Black / White  
Material: SPCC+Alu  
Compatible Devices: Optional  
Charging Cable: Optional  
Rotation / Tilt / Locking

**Optional Part:**  
1.5m Data Cable



# iPad or Tablet Mount & Stand

We could select the iPad size which is suit for ourselves according to Personal requirement.

## Universal Case:





**SPECIFICATIONS**

Color: Silver / Black / White  
Material: SPCC+Alu  
Compatible Devices: Optional  
Charging Cable Optional  
Rotation / Tilt / Locking

**Optional Part:**

1.5m Data Cable



Rotation & Tilt



Device Case



Cable Outlet



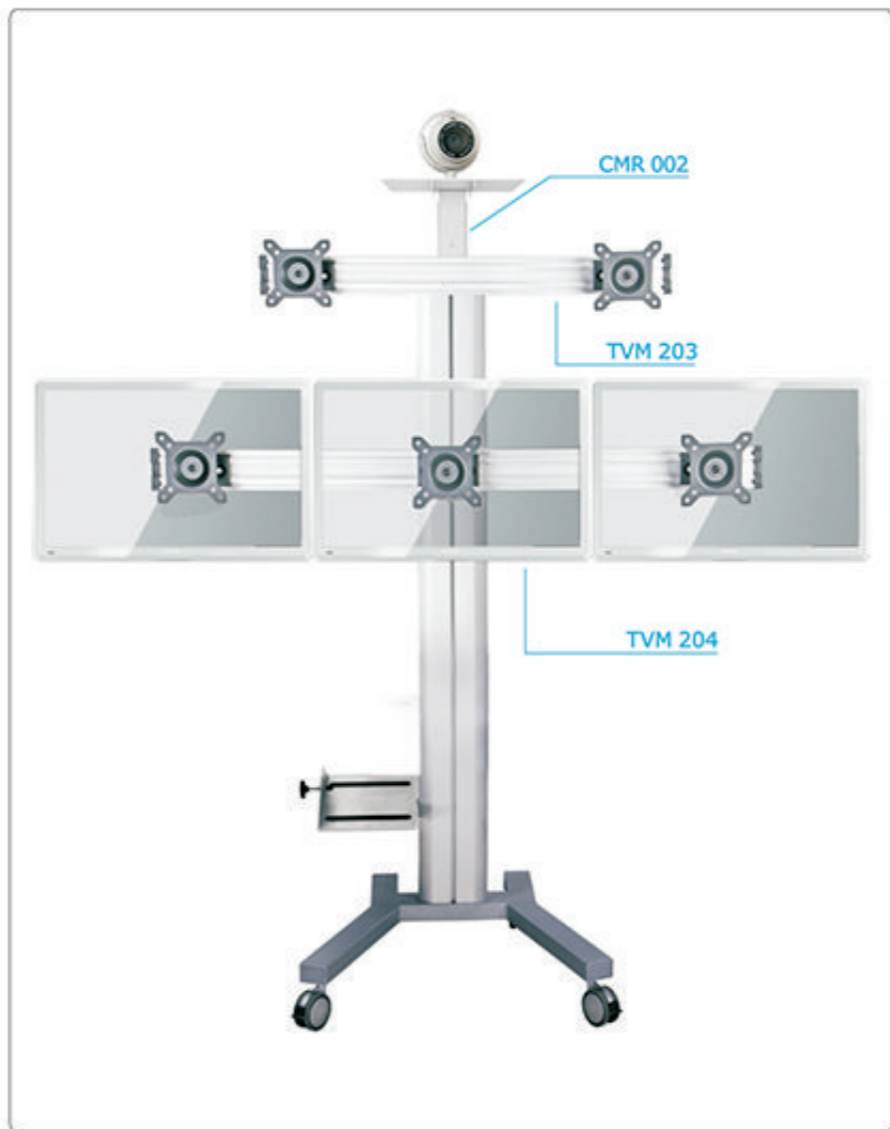
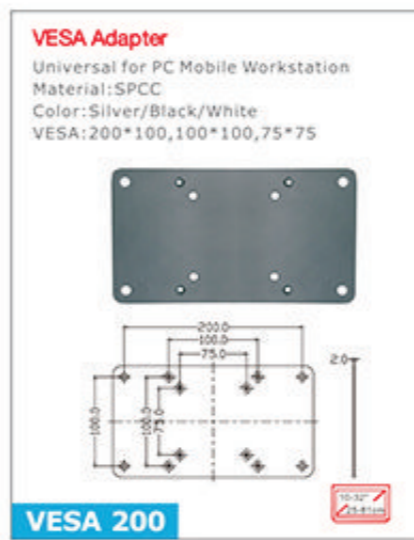
Locking



Cable Management



Hole for security screw



## Optional Parts

KOFORD DEVELOPMENT CO., LIMITED  
www.kf-ind.com

## Optional Parts

**Keyboard Tray**  
Color:Black/Silver/White  
Material:MDF/SPCC  
Height Adjustable  
Width Adjustable  
Universal for KF Carts

**KB 001**

**Codec or Printer Shelf**  
Universal for KF Products  
Material:SPCC  
Color:Silver/Black/White  
Height adjustable

**PRT 001**

**CPU Holder**  
Universal for KF Products  
Material:SPCC  
Color:Silver/Black/White  
Height adjustable

**CPU 001**

**A4 Printing Paper Holder**  
Universal for KF Products  
Material:SPCC  
Color:Silver/Black

**DOC 002**

**Storage Box**  
Universal for KF Products  
Material:SPCC  
Color:Silver/Black/White

**STR 001**

**Handling Bar**  
Universal for KF Carts  
Material: Alu. Casting

**HDL 001**

**A4 Document Shelf**  
Universal for KF Products  
Material:SPCC  
Color:Silver/Black

**DOC 001M**

**Cable Hooks**  
Universal for KF Products  
Material:SPCC  
Color:Silver/Black

**HK 001**

**Handling Bar**  
Universal for KF Carts  
Material: SPCC

**HDL 002**

**A3 Document Shelf**  
Universal for KF Products  
Material:SPCC  
Color:Silver/Black

**DOC 001L**

**PC Mediabox / Digital Signage Box**  
Universal for KF Products  
Material:SPCC  
Color:Silver/Black  
Cable management  
Wallmounted Adapters included  
Door with lock

**MBS 001**

Mount on Pillar

Outside size: 460mm x 460mm x 160mm  
Inside size: 400mm x 400mm x 100mm

VESA 50x50 75x75 100x100 200x100 200x200 300x200  
300x300 400x200 400x400



**TA 100**

Product Size: 800\* $\phi$ 56mm  
Material: ABS  
Color: Silver/Black



**TA 400**

Product Length: 1500mm  
Diameter: 22-28mm  
Material: PP/ABS  
Color: Grey/Black/White



**TA 200**

Material: PP+ABS  
Color: Black

